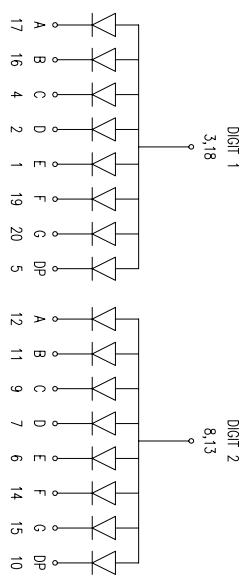
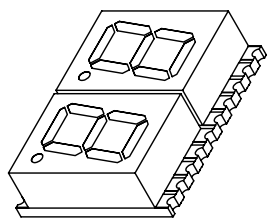
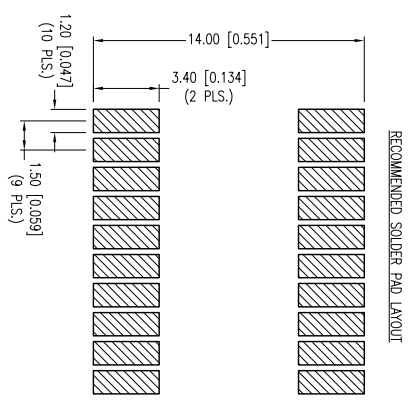
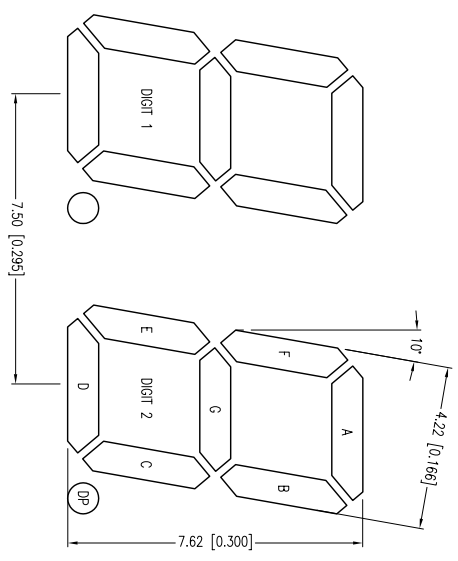
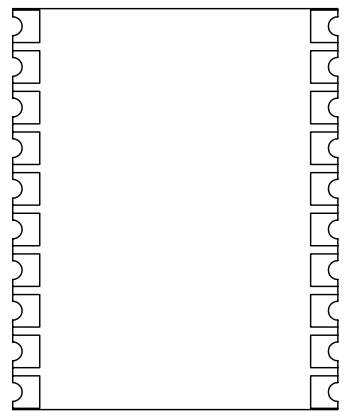
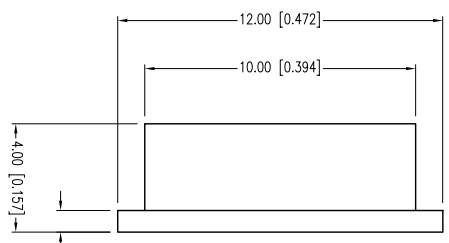
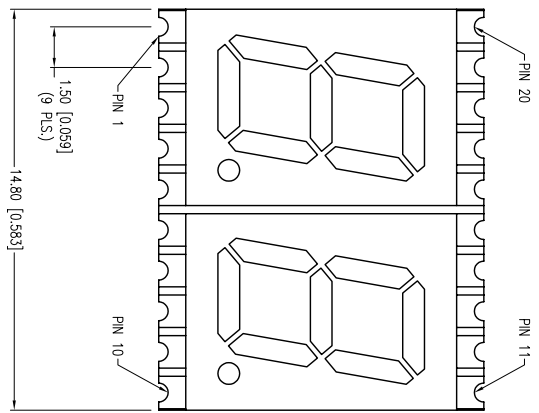


PART NUMBER	LDD-SMHTA304RIS1TR	REV.	A
DATE	03/26/12	REV.	A
E.C.N. #11811 CHANGE PART DESCRIPTION.			



ELECTRO-OPTICAL CHARACTERISTICS T <sub>a</sub> =25°C					
PARAMETER	MIN	TYP	MAX	UNITS	TEST COND
PEAK WAVELENGTH		640		nm	
FORWARD VOLTAGE		2.0	2.40	V <sub>f</sub>	I <sub>f</sub> =100μA
REVERSE VOLTAGE	5.0			V <sub>r</sub>	I <sub>r</sub> =10mA
AXIAL INTENSITY			4500	μcd	
EMITTED COLOR:	RED				2x theta
FACE COLOR:	GRAY				
SEGMENT COLOR:	MILKY WHITE DIFFUSED				

LIMITS OF SAFE OPERATION AT 25°C PER DIE			
PARAMETER	MIN	MAX	UNITS
PEAK FORWARD CURRENT*		100	mA
STEADY CURRENT		25	mA
POWER DISSIPATION		60	mW
DERATE FROM 25°C		-0.30	mW/°C
OPERATING TEMP.	-40 TO +105		°C
STORAGE TEMP.	-40 TO +105		°C

\* I<sub>C</sub>100J5

UNLESS OTHERWISE SPECIFIED TOLERANCES PER DECIMAL PRECISION ARE: X=±1 (±0.029), X.X=±0.5 (±0.020), X.XX=±0.25 (±0.010), X.XXX=±0.127 (±0.005), LEAD SIZE=±0.05 (±0.002), LEAD LENGTH=±0.75 (±0.030), MIN= -0.00, DECIMAL PRECISION MAX.= +0.00, DECIMAL PRECISION

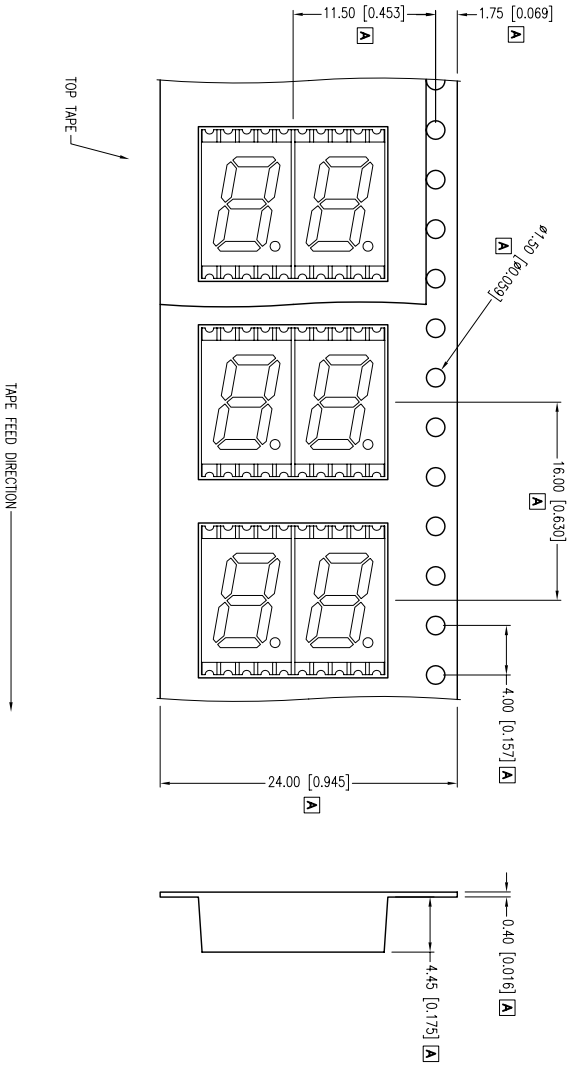
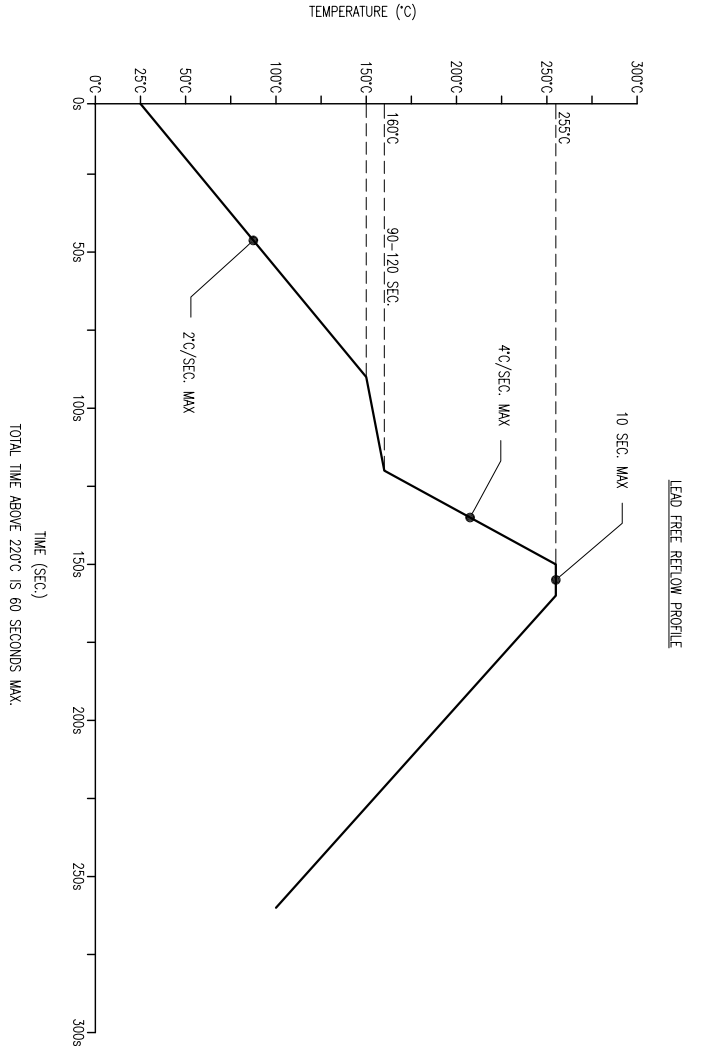
UNCONTROLLED DOCUMENT

**LUMEX**  
 Creating LED and LCD Solutions Together™  
 290 E. HELEN ROAD  
 PALATKA, IL 60067-6976  
 PHONE: +1 847 359 2790  
 FAX: +1 847 359 6538  
 WEB: WWW.LUMEX.COM  
 MEMBER OF JTW PHOTONICS GROUP

0.30" 7 SEGMENT DUAL DIGIT DISPLAY, 640nm RED, HIGH TEMP., COMMON ANODE.

CONFIDENTIAL INFORMATION  
 THE INFORMATION CONTAINED IN THIS DOCUMENT IS THE PROPERTY OF LUMEX INC. EXCEPT AS SPECIFICALLY AUTHORIZED IN WRITING BY LUMEX INC., THE HOLDER OF THIS DOCUMENT SHALL KEEP ALL INFORMATION CONTAINED HEREIN CONFIDENTIAL AND SHALL PROTECT SAME IN WHOLE OR IN PART FROM DISCLOSURE AND DISSEMINATION TO ALL THIRD PARTIES.

DATE: 03.20.12 DRAWN BY: AB  
 PAGE: 1 OF 2 CHKD BY: KF  
 SCALE: NTS APRVD BY: KF  
 UNIT: mm [INCH]



\*UNLESS OTHERWISE SPECIFIED TOLERANCES PER DECIMAL PRECISION ARE: X=±1 (±0.039), X.X=±0.5 (±0.020), X.XX=±0.25 (±0.010), X.XXX=±0.127 (±0.005), LEAD SIZE=±0.05 (±0.002), LEAD LENGTH=±0.75 (±0.030), MIN=-0.00 DECADEMAL PRECISION MAX.=+0.00 DECADEMAL PRECISION

UNCONTROLLED DOCUMENT

**LUMEX**  
 Creating LED and LCD Solutions Together™  
 290 E. HELEN ROAD  
 PALATKA, IL 60067-6976  
 PHONE: +1 847 359 2790  
 FAX: +1 847 359 6538  
 WEB: WWW.LUMEX.COM  
 MEMBER OF JTW PHOTONICS GROUP

0.30" 7 SEGMENT DUAL DIGIT DISPLAY, 640nm RED, HIGH TEMP., COMMON ANODE.

CONSEQUENTIAL INFORMATION  
 THE INFORMATION CONTAINED IN THIS DOCUMENT IS THE PROPERTY OF LUMEX INC. EXCEPT AS SPECIFICALLY AUTHORIZED IN WRITING BY LUMEX INC., THE HOLDER OF THIS DOCUMENT SHALL KEEP ALL INFORMATION CONTAINED HEREIN CONFIDENTIAL AND SHALL PROTECT SAME IN WHOLE OR IN PART FROM DISCLOSURE AND DISSEMINATION TO ALL THIRD PARTIES.

DATE:	03.20.12	DRAWN BY:	AB
PAGE:	2 OF 2	CHKD BY:	KF
SCALE:	NTS	APRVD BY:	KF
UNIT:	mm [INCH]		