

Material:

- Body: Nickel-plated brass
- Seal: Tefabloc
- Clamping ring for grounding connection: Tin-plated plastic
- Seal ring for outer thread: Nitril

Characteristics:

- PG/Metric thread

Technical properties:

- Continuous EMC protection due to tin-plated plastic
- Gas tight and watertight
- Completely twist protected

Applications:

- Machines and devices
- Measuring and control engineering
- Plant installations
- Telecommunications



Temperature Range
-25 to 120°C (-13 to 248°F)

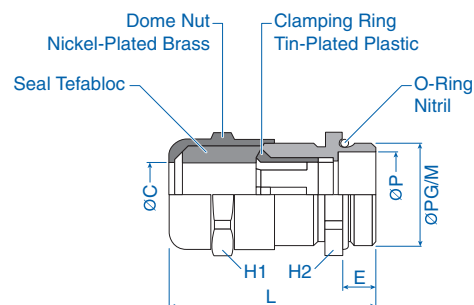


Outer thread	Cable Clamping range mm	Shield Clamping range mm	Cat. No.	Std. Pk.
PG				
PG 7	4 - 6.5	4 - 6.5	4264007	100
PG 9	5 - 8.5	4.5 - 8.5	4264009	50
PG 11	7 - 10.5	6 - 10.5	4264011	50
PG 13.5	8 - 12.5	8 - 12.5	4264013	50
PG 16	10 - 14.5	10 - 14.5	4264016	20
PG 21	13.5 - 18	13.5 - 18	4264021	25
PG 29	17 - 24	17 - 24	4264029	10
PG 36	24 - 30	24 - 30	4264036	10

Metric

M 12 x 1.5/7	4 - 6.5	4 - 6.5	4264112	100
M 16 x 1.5/7	4 - 6.5	4 - 6.5	4264116	100
M 16 x 1.5/9	5 - 8.5	4.5 - 8.5	4264117	50
M 20 x 1.5/11	7 - 10.5	6 - 10.5	4264120	50
M 20 x 1.5/13	8 - 12.5	8 - 12.5	4264121	50
M 25 x 1.5/16	10 - 14.5	10 - 14.5	4264125	25
M 25 x 1.5/21	13.5 - 18	13.5 - 18	4264126	25
M 32 x 1.5/21	13.5 - 18	13.5 - 18	4264132	10
M 32 x 1.5/29	17 - 24	17 - 24	4264133	10
M 40 x 1.5/29	17 - 24	17 - 24	4264134	10
M 40 x 1.5/36	24 - 30	24 - 30	4264135	10

Thread Size	Dimensions						
	H1 mm	H2 mm	E mm	L mm	ØC mm	ØP mm	ØPG/M mm
PG7	14	14	5	35	6.5	7.2	12.5
PG9	17	17	6	37	8.5	9.2	15.2
PG11	20	20	6	40	10.5	11.2	18.6
PG13.5	22	22	6.5	40	12.5	13.1	20.4
PG16	24	24	6.5	40	15.2	15.6	22.5
PG21	30	30	7	50	18.5	20.1	28.3
PG29	40	40	8	60	25.0	26.2	37.0
PG36	50	50	9	70	30.5	33.0	47.0
M 12x1.5/7	14	14	7	37	6.5	7.2	12.0
M 16x1.5/7	14	17	7	37	6.5	7.2	16.0
M 16x1.5/9	17	17	7	38	8.5	9.2	16.0
M 20x1.5/11	20	22	7	41	10.5	11.2	20.0
M 20x1.5/13	22	22	7	41	12.5	13.1	20.0
M 25x1.5/16	24	26	8	41	15.2	15.6	25.0
M 25x1.5/21	30	30	8	51	18.5	20.1	25.0
M 32x1.5/21	30	33	8.5	51.5	18.5	20.1	32.0
M 32x1.5/29	40	40	8.5	60.5	25.0	26.2	32.0
M 40x1.5/29	40	42	8.5	60.5	25.0	26.2	40.0
M 40x1.5/36	50	50	8.5	67	30.5	33.0	40.0



This is one of our most popular series and is usually kept in stock.

Locknuts sold separately, see page 25.