

Customer Information Sheet

DRAWING No.: S7181-45R

IF IN DOUBT - ASK

(C)

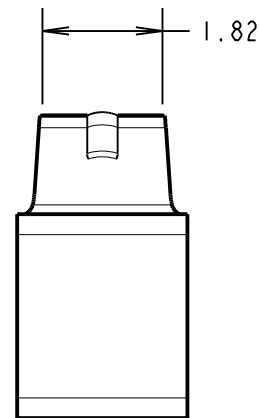
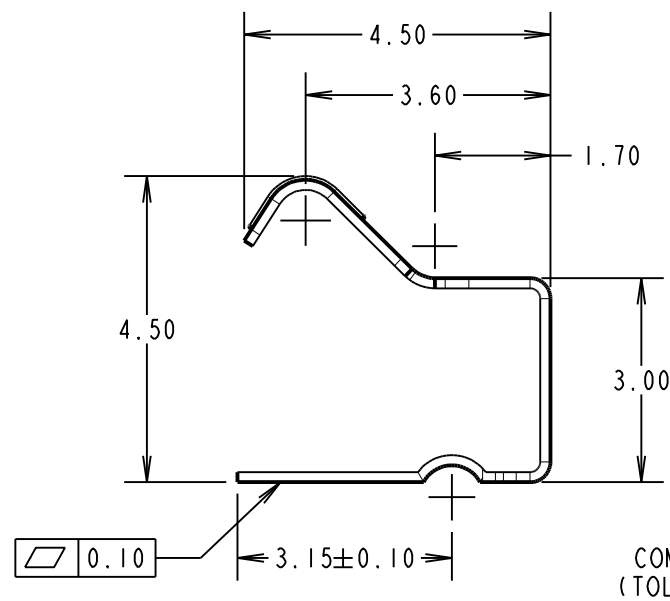
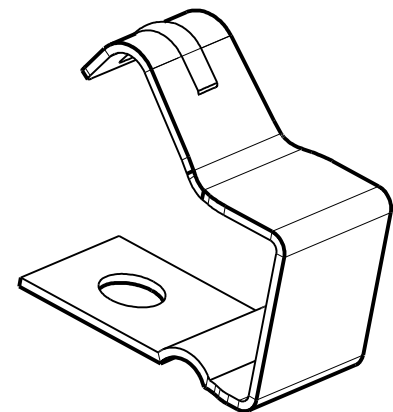
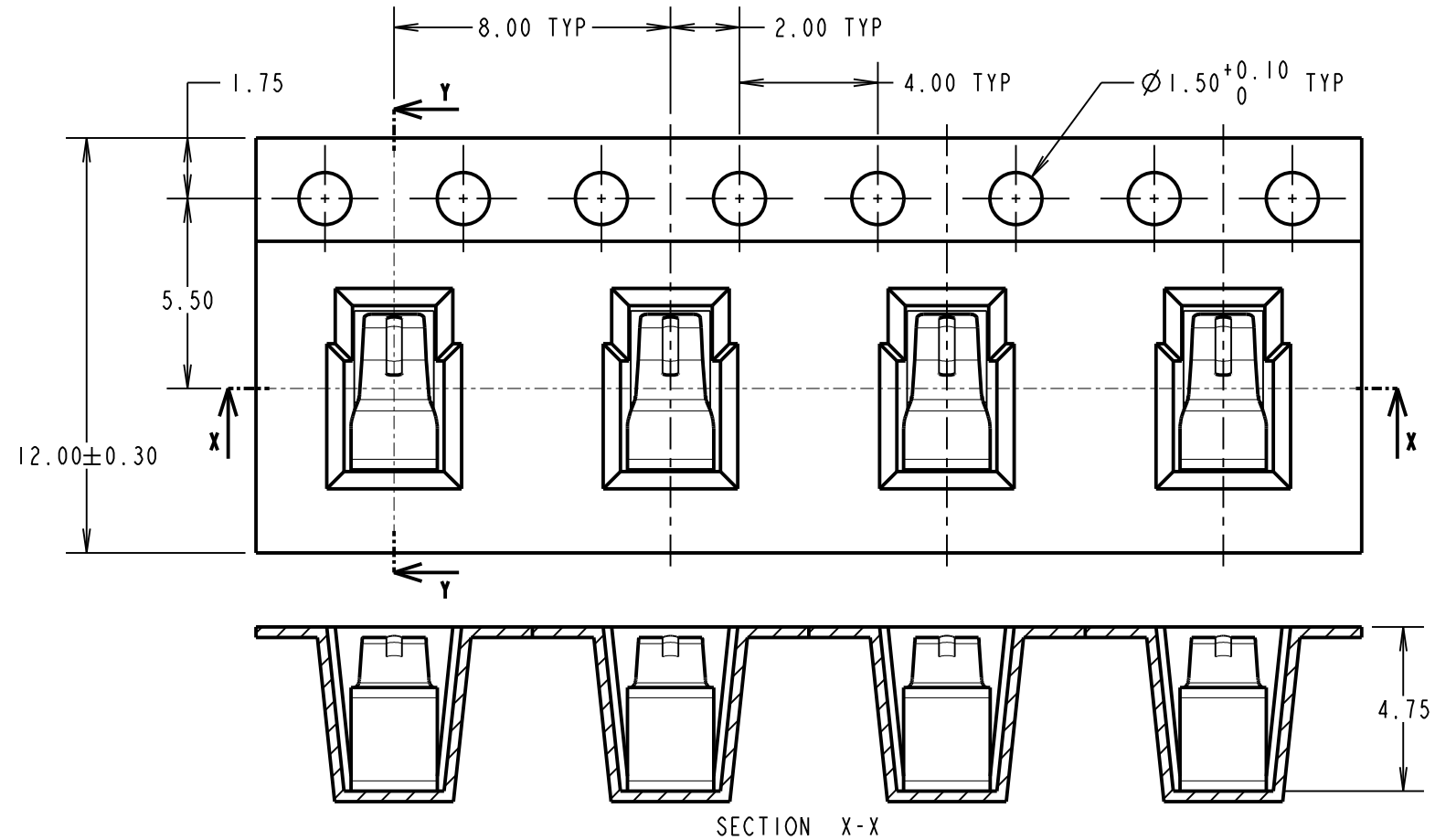
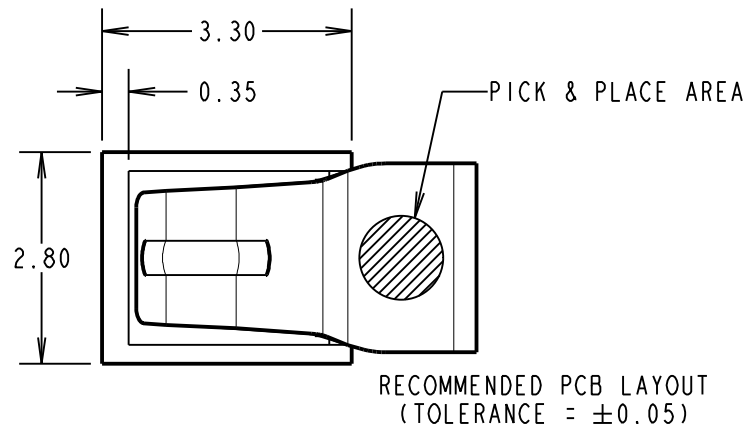
NOT TO SCALE

THIRD ANGLE PROJECTION

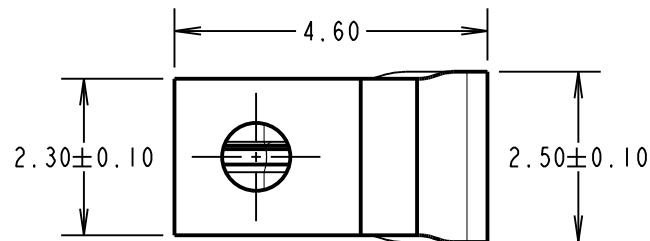
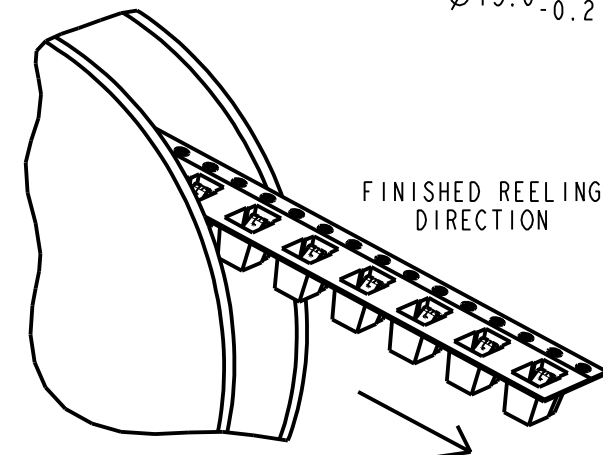
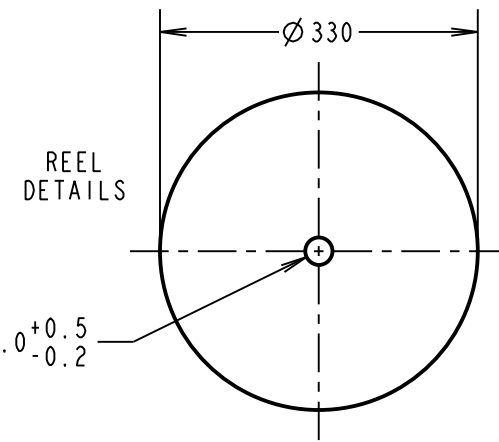
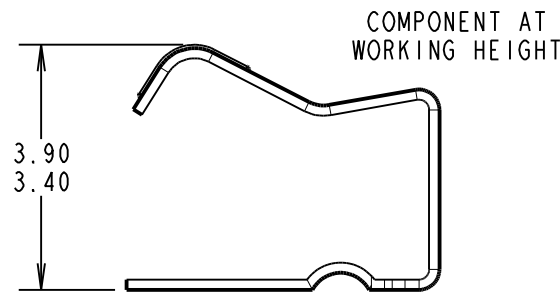
ALL DIMENSIONS IN mm

NOTES:

1. QUANTITY PER REEL = 1,700.
2. THIS PRODUCT IS TAPED AND REELED IN GENERAL ACCORDANCE WITH EIA-481-2 (ELECTRONICS INDUSTRIES ASSOCIATION).



SPECIFICATION:
 MATERIAL = PHOSPHOR BRONZE, 0.15mm THICK
 FINISH = GOLD FLASH OVER 1.25µ MIN NICKEL
 ELECTRICAL:
 CONTACT RESISTANCE = 50mΩ MAX
 CURRENT RATING = 1A
 VOLTAGE RATING = 50V AC/DC
 MECHANICAL:
 DURABILITY = 10,000 CYCLES
 MINIMUM FORCE AT WORKING HEIGHT = 0.49N
 ENVIRONMENTAL:
 OPERATING TEMPERATURE = -20°C TO +70°C



MSP	3	30.11.15	13179
NAME	ISS.	DATE	C/NOTE
APPROVED:		M.PERREN	
CHECKED:		S.BENNETT	
DRAWN:		S.BENNETT	
CUSTOMER REF.:			
ASSEMBLY DRG:			

HARWIN

www.harwin.com
 technical@harwin.com

THIS DRAWING AND ANY INFORMATION OR DESCRIPTIVE MATTER SET OUT HEREON ARE CONFIDENTIAL AND COPYRIGHT PROPERTY OF THE HARWIN GROUP AND MUST NOT BE DISCLOSED, LOANED, COPIED OR USED FOR MANUFACTURING, TENDERING OR FOR ANY OTHER PURPOSE WITHOUT THEIR WRITTEN PERMISSION.

TOLERANCES
 X. = ±1mm
 X.X = ±0.50mm
 X.XX = ±0.10mm
 X.XXX = ±0.01mm
 ANGLES = ±5°
 UNLESS STATED

MATERIAL:
 SEE ABOVE
FINISH: SEE ABOVE
S/AREA: mm²

TITLE: SMT SPRING CONTACT
 (4.50mm HIGH)
 IN TAPE AND REEL

DRAWING NUMBER: S7181-45R