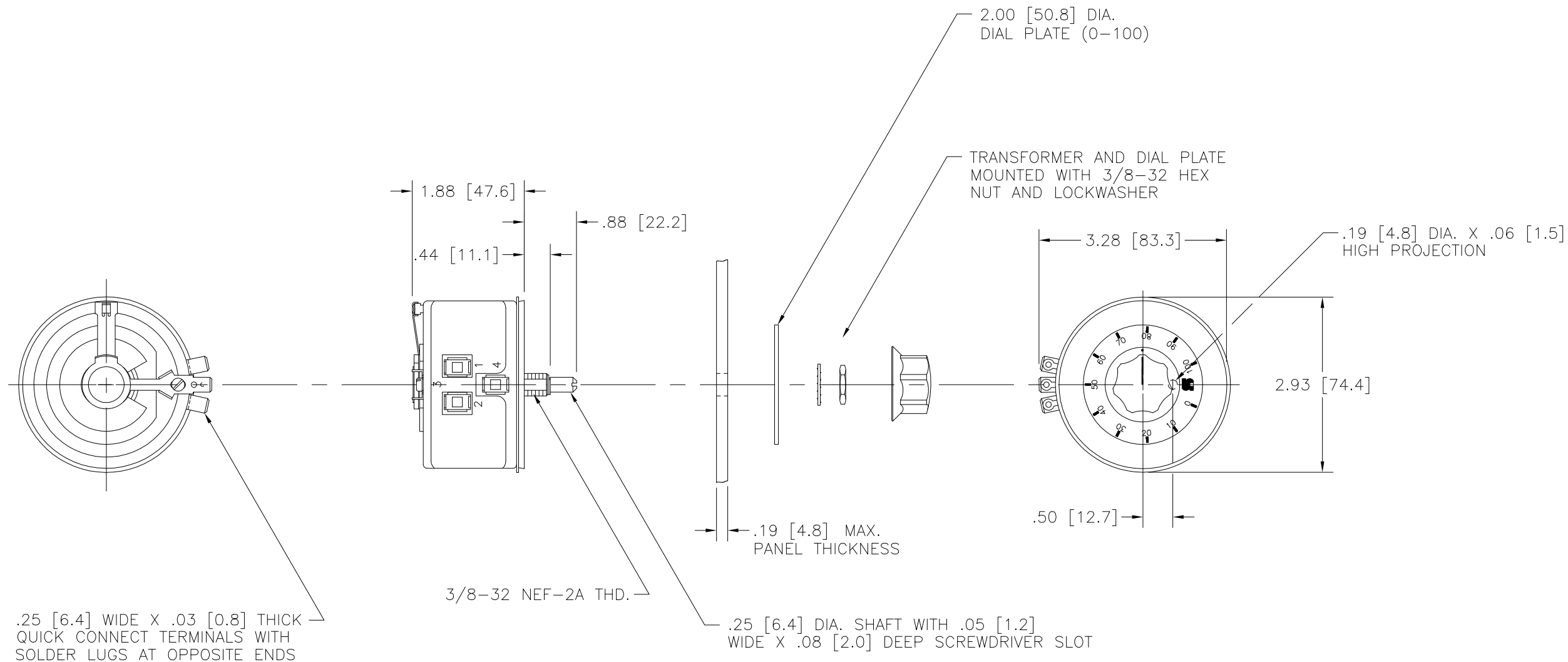
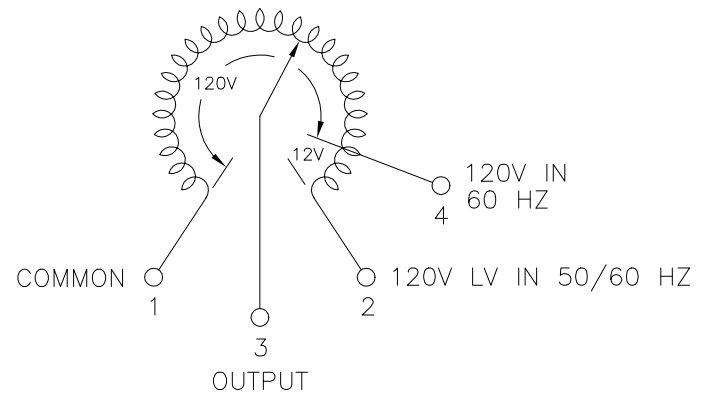


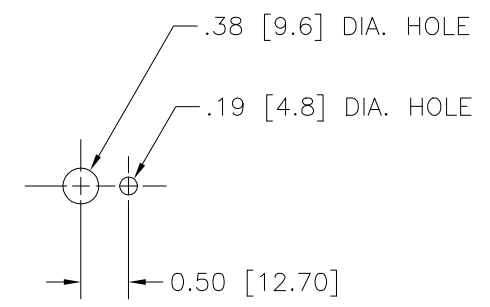
DWG. NO.	031-0201		
REVISIONS			
SYM.	E.C.N.	DATE	APVD.
D	21877	6/12/92	REDRAWN W/NEW KNOB
E	22518	3/3/94	DIM. 2.93 WAS 2.80



.25 [6.4] WIDE X .03 [0.8] THICK QUICK CONNECT TERMINALS WITH SOLDER LUGS AT OPPOSITE ENDS



SCHMATIC VIEWED FROM BASE END



PANEL MTG. DETAIL

SPECIFICATIONS											
WIRING	INPUT		OUTPUT				SHAFT ROTATION TO INCREASE VOLTAGE	TERMINAL CONNECTIONS			
	VOLTS	HERTZ	VOLTS	CONSTANT CURRENT LOAD		CONSTANT IMPEDANCE LOAD		FOR INCREASING VOLTAGE AS VIEWED FROM BASE END			
				MAX. AMPS	MAX. KVA	MAX. AMPS		MAX. KVA	INPUT	JUMPER	OUTPUT
SINGLE PHASE	120	50/60	0-120	2.0	0.24	2.5	0.30	CW	1-2	---	1-3
		60	0-132	2.0	0.26	---	---	CCW	1-2	---	2-3
								CW	1-4	---	1-3

UNLESS OTHERWISE SPECIFIED, TOLERANCE IS #				UNITS				TITLE: SPEC. CONTROL DWG. VARIABLE TRANSFORMER TYPE: 201			
DECIMALS	Holes	ANGLES	DRAFT	IN	MM						
.XX	+.014	1°	1-1/2°								
	.005										
MATERIAL:				ALL DIMENSIONS APPLY AFTER PLATING				DRAWN BY: K. TOLLIVER DATE: 1/27/92 FIRST USED ON: 031-0201 DO NOT SCALE DWG. CUSTOMER APPROVAL: DATE:			
The information and design disclosed herein was originated by and is the property of STACO ENERGY PRODUCTS CO., which reserves all patent, proprietary, design, manufacturing, reproduction, use and sale rights thereto, and to any article disclosed therein except to the extent rights are expressly granted to others. The foregoing does not apply to vendor proprietary parts.				CHECKER: DATE: WEIGHT APPROX. 2 LBS. CODE IDENT. NO. 83008 DWG. NO. 031-0201				ENGINEER: DATE: SCALE 1=1 SHEET 1 OF 1			

