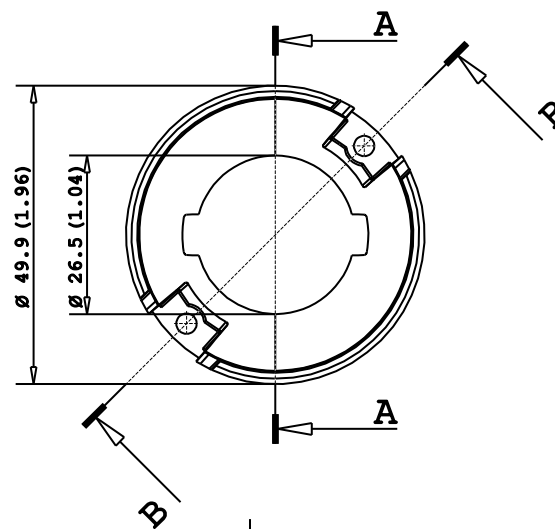
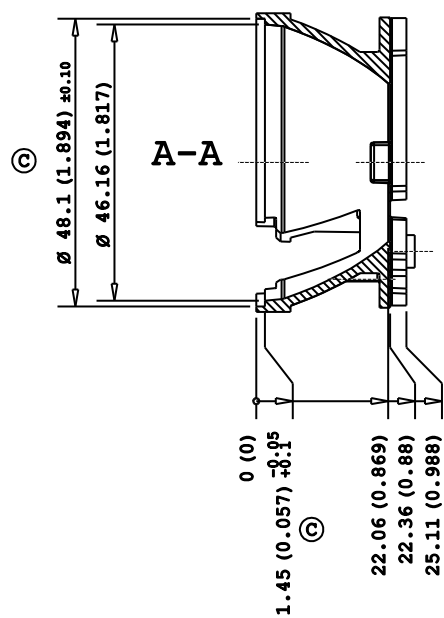
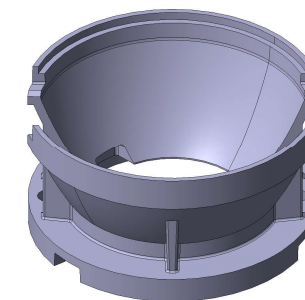
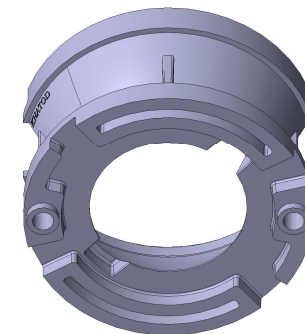
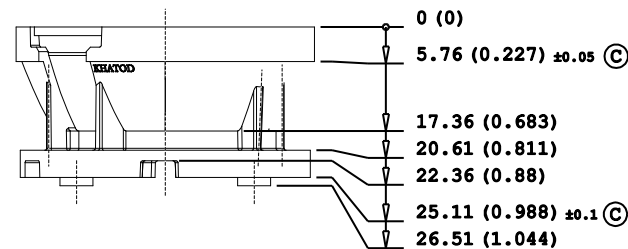
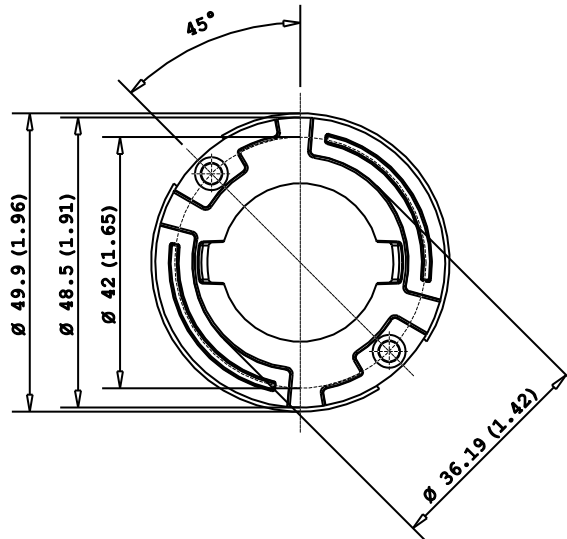
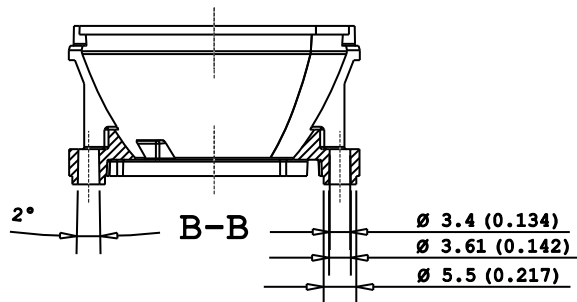


Note:  
 - Dimensions in inches into brackets  
 - For missing dimensions see 3D file  
 - All surfaces embossed 17/29 VDI  
 © = Quality Control Dimensions (QCD)



** Project and design owned by Khatod OPTOELECTRONIC s. r. l. ** The technical solutions adopted in this design are Khatod intellectual property, they cannot be reproduced and transmitted to third parties without our prior written permission. Unauthorized disclosure of confidential proprietary information will be prosecuted by law.			
DESCRIPTION : <b>Lens Holder</b>		DESIGNER : <b>LM</b>	PROJECTS : <b>1994</b>
CODE : <b>KEL 1994 A</b>	CHECKED :	CONTROLLED : <b>LM/GV</b>	DATA : <b>18/06/2016</b>
<b>KHATOD</b> Via Alessandrina,25 Cusano Milanino MILANO ITALIA WWW.KHATOD.COM	All Dimensions in mm General Tolerances +/-0.20 mm		HEAT TREATMENT: <b>No One</b>
			MATERIAL: <b>PC HT Clear</b>
SCALE : <b>1 : 1</b>			SHEET : <b>1 of 1</b>