

PART NAME: 5 STAR-KNOB SCALE: 1:1 DATE: 4/6/95 DR. BY HD

THIS DRAWING IS THE PROPERTY OF DAVIES MOLDING COMPANY, IS SUBMITTED SOLELY AS A DESIGN OR ENGINEERING PROJECT. WE ACCEPT NO RESPONSIBILITY WHATSOEVER FOR THE PRACTICAL APPLICATION OF THE PIECES MADE TO THIS DESIGN.



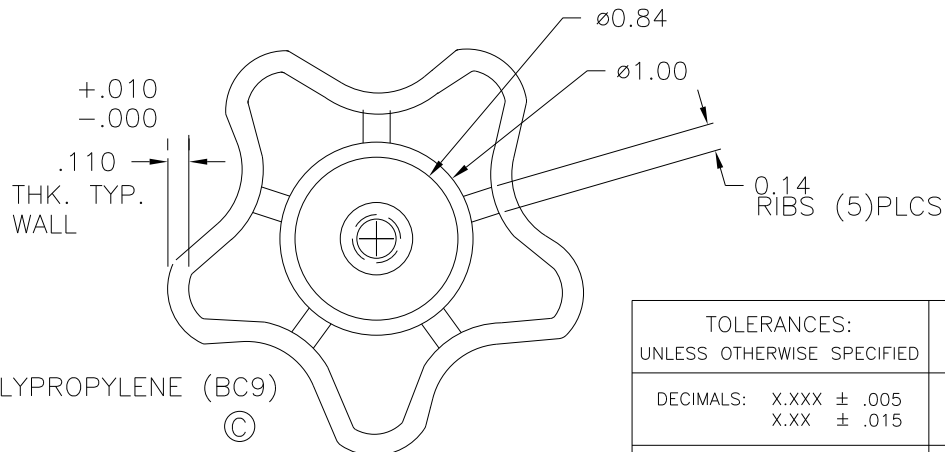
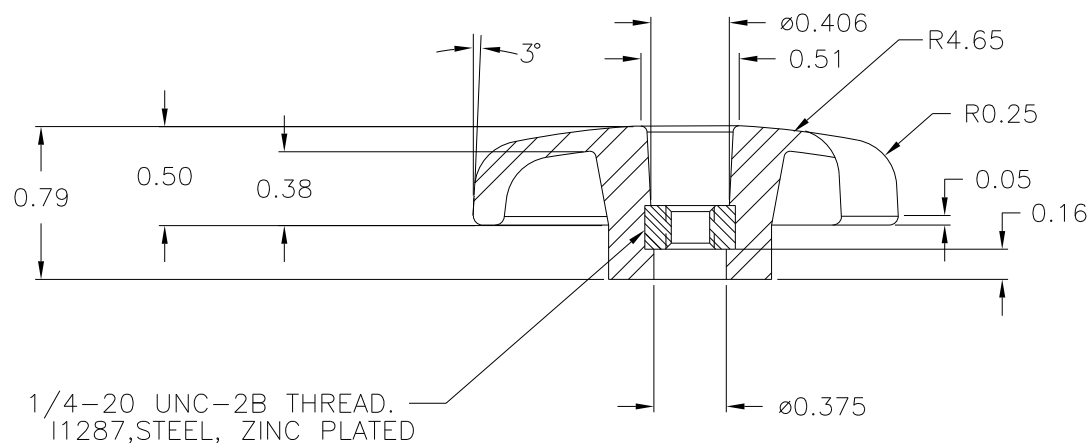
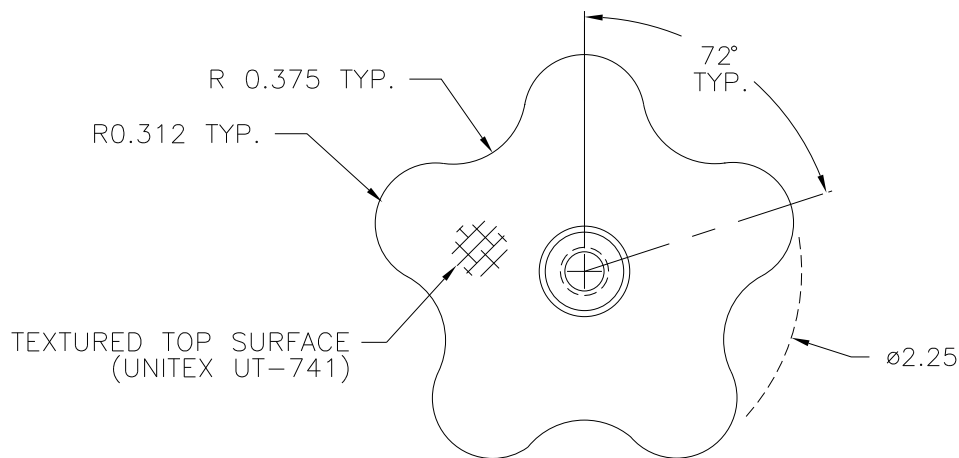
DESIGNERS & MANUFACTURERS OF KNOBS, HANDLES, CASES & CUSTOM PLASTIC COMPONENTS

P/N 2980

M NO. #2980

CAV.	2980
CORE	2980
TOP PIN	2980
SLEEVE	2980
PIN	2980
INSERT	I1287
SPRING	0.035 (2)

(A)



(B) MATERIAL: 20% TALC-FILLED POLYPROPYLENE (BC9)
COLOR: BLACK

(C)

TOLERANCES: UNLESS OTHERWISE SPECIFIED	DO NOT SCALE DRAWING			
DECIMALS: X.XXX ± .005 X.XX ± .015	MM: X.XX ± 0.15MM X.X ± 0.4MM	C	ADDED MAT. CODE	DS 1/29/07
		B	20% TALC FILLED PP WAS POLYPROPYLENE	MP 12/15/98
		A	WAS # 9 FRAME WAS 2980-2 DWG.	HD 7/29/96
FRACTIONS ± 1/64	ANG. ± 1°	CHANGES		