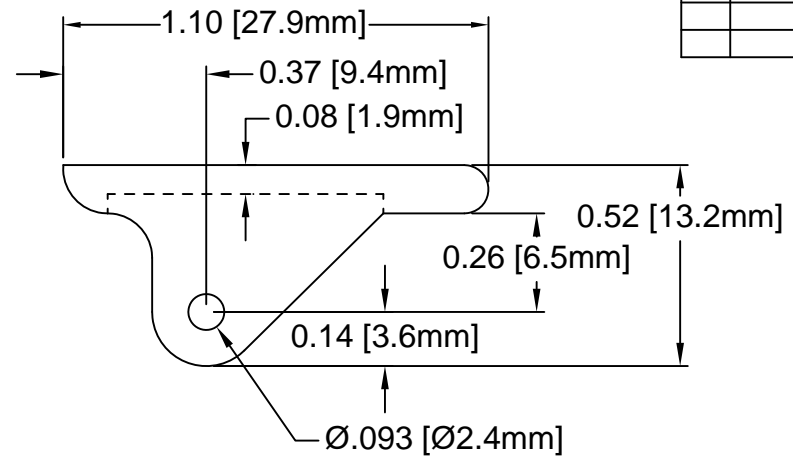
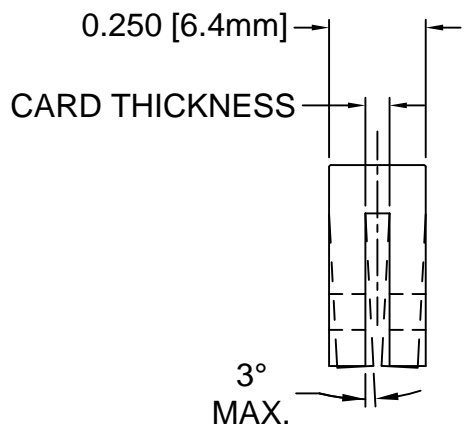
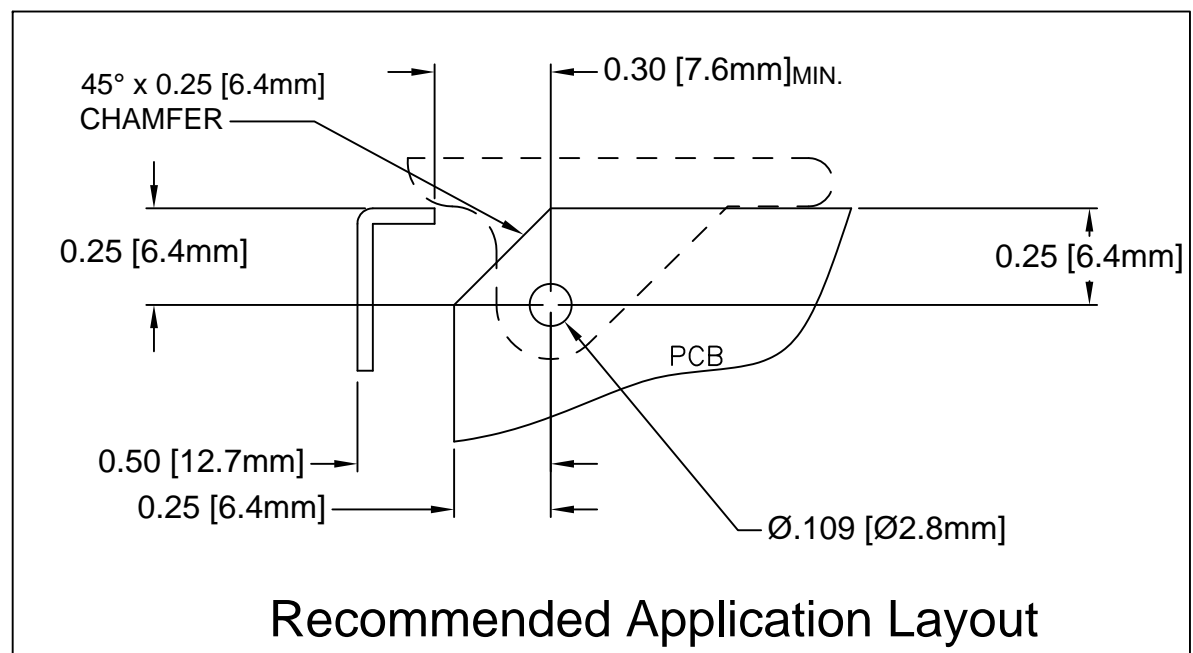


REV.	DESCRIPTION	DATE	APPROVED
F	Production Release.	02/24/04	M. C.
G	Added Max. Allowable Draft Angle.	06/13/13	T. Y.
H	Added Notes 4, 5, 6 & Color Options Sheet #2	05/04/16	J. C.



PART NO.	COLOR	ROLL PIN	CARD THICK.
CP-36 NT	NATURAL	RP-250	1/16"(1.6mm)
CP-36 WE	WHITE	RP-250	
CP-36 XX	SEE S.#2	RP-250	3/32"(2.4mm)
CP-39 NT	NATURAL	RP-250	
CP-39 WE	WHITE	RP-250	
CP-39 XX	SEE S.#2	RP-250	



5. PRE-ASSEMBLED ROLL PINS AVAILABLE UPON REQUEST.
4. ROLL PINS INCLUDED. PACKAGED SEPARATELY.
3. MATERIAL: NYLON 6/6, 94V-2, WHITE.
2. MATERIAL: NYLON 6/6, 94V-2, NATURAL.
1. GENERAL SPECIFICATIONS: BIVAR MOLDED COMPONENT SPECIFICATION BV00-E101.

STANDARD TOLERANCE (UNLESS OTHERWISE SPECIFIED)		BIVAR [®] 4 THOMAS, IRVINE, CA. 92618 TEL: (949) 951-8808 FAX: (949) 951-3974	
DECIMALS	ANGULAR		
.X ± .1	X° ± 1°	 TITLE: CIRCUIT BOARD CARD EJECTOR	
.XX ± .01			
.XXX ± .005		PART NO: CP-3X REVISION: H	
DESIGNED: S. Irving			
CHECKED: M. Chen		CAGE CODE : 32559 SHEET # 1 OF 2	
DATE: 05/19/98			
DATE: 09/09/03		CAD GENERATED DOCUMENT. DO NOT MEASURE DRAWING.	

OTHER AVAILABLE COLORS

* SEE TABLE FOR ORDERING INFORMATION


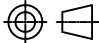
REV.	DESCRIPTION	DATE	APPROVED
	SEE SHEET #1		

CP- 3 _ _ _

CP SERIES
CP-36
CP-39

ORDER CODE	COLOR
AA	AQUA
BK	BLACK
BE	BLUE
BN	BROWN
FG	FOREST GREEN
GY	GRAY
GN	GREEN
LE	LIME
OE	ORANGE
PK	PINK
RD	RED
VT	VIOLET
YW	YELLOW

6. PARTS ARE DYED TO COLOR UPON REQUEST.

STANDARD TOLERANCE (UNLESS OTHERWISE SPECIFIED) DECIMALS ANGULAR		 4 THOMAS, IRVINE, CA. 92618 TEL: (949) 951-8808 FAX: (949) 951-3974	
			
DESIGNED: S. Irving	DATE: 05/19/98	TITLE: CIRCUIT BOARD CARD EJECTOR	
CHECKED: M. Chen	DATE: 09/09/03	PART NO: CP-3X	REVISION: H
		CAGE CODE : 32559	SHEET # 2 OF 2
CAD GENERATED DOCUMENT. DO NOT MEASURE DRAWING.			