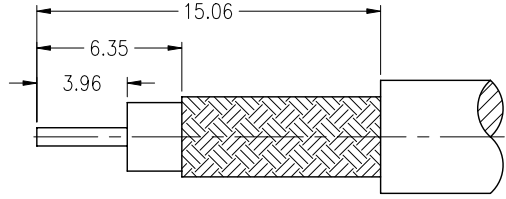


NOTES:

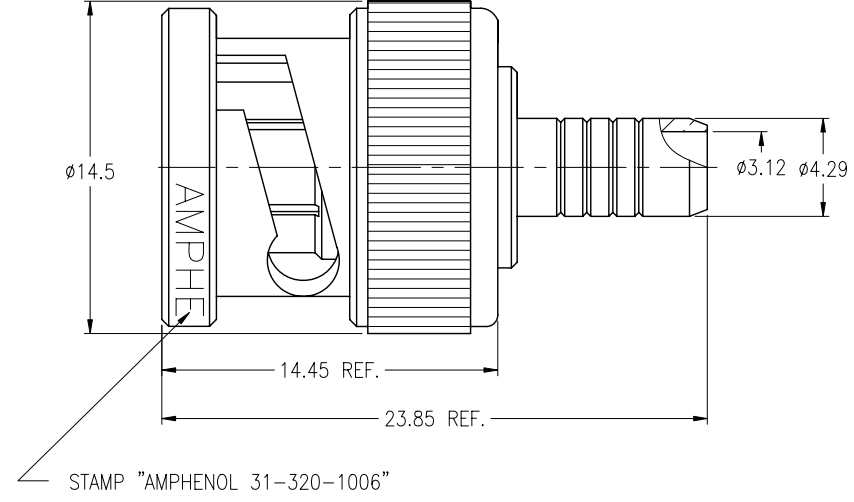
- MATERIALS AND FINISHES(PLATING THICKNESS IN MICRO-INCHES):  
 BODY - BRASS, NICKEL PLATING  
 CONTACT - BRASS, GOLD PLATING  
 INSULATOR - PTFE, NATURAL
- ELECTRICAL:  
 A. IMPEDANCE: 50 OHM  
 B. FREQUENCY RANGE: DC 0-4 GHz  
 C. DIELECTRIC WITHSTANDING VOLTAGE: 1500 VRMS, MIN.
- MECHANICAL:  
 A. DURABILITY: 500 CYCLES MIN.  
 B. TEMPERATURE RANGE: - 65°C to +165°C
- SOLDER CONTACT TO CABLE,  
 WHEN CRIMPING CONTACT TO CABLE, CRIMP WITH AMPHENOL TOOL  
 227-944 (M22520/5-01) AND DIE SET 227-1221-11, CAVITY 'B'  
 (M22520/5-11, CLOSURE 'B')
- WHEN CRIMPING FERRULE TO CABLE, CRIMP WITH AMPHENOL TOOL  
 227-944 (M22520/5-01) AND DIE SET 227-1221-11, CAVITY 'A'  
 (M22520/5-11, CLOSURE 'A')

THIRD ANGLE PROJ.

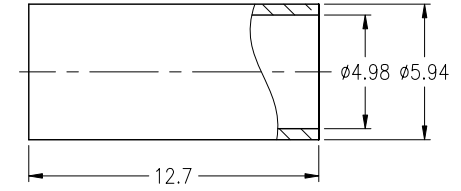
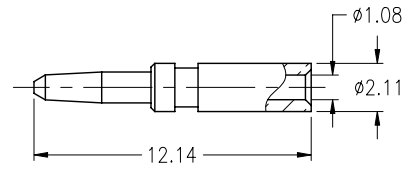
REVISIONS				
REV	DESCRIPTION	DATE	ECO	APPR
B	SEE SHEET 1	19-Mar-04	--	--
B1	SEE SHEET 1	30-Jun-05	--	--
C	SEE SHEET 1	04-Mar-08	--	AW
E	SEE SHEET 1	17-Mar-10	47921	SH
F	NOTE 4 WAS CHANGE\RD-DM11071101R3	02-Aug-11	48675	SH



RECOMMENDED  
CABLE STRIPPING DIM'S



STAMP "AMPHENOL 31-320-1006"



**CUSTOMER OUTLINE DRAWING**  
ALL OTHER SHEETS ARE FOR INTERNAL USE ONLY

UNLESS OTHERWISE SPECIFIED, DIMENSIONS ARE IN METRIC AND TOLERANCES ARE: <0.5mm ±0.05mm    0.5 - 6mm ±0.1mm    6 - 30mm ±0.2mm    30 - 120mm ±0.3mm    ANGLES ±1°	MATERIAL	DRAWN <b>R.MAO</b> ENGINEER <b>C.WANG</b> APPROVED <b>S.HSIEH</b>	DATE 22-Jul-11 DATE 22-Jul-11 DATE 22-Jul-11	TITLE BNC PLUG MIL-CRIMP 23329 (FOR BELDEN CABLES 89907 AND 9907)	Amphenol RF Danbury CT USA, Tainan Taiwan, Shenzhen China www.amphenolrf.com
	NOTICE - These drawings, specifications, or other data (1) are, and remain the property of Amphenol Corp. (2) must be returned upon request; and (3) are confidential and not to be disclosed to any person other than those to whom they are given by Amphenol Corp. The furnishing of these drawings, specifications, or other data by Amphenol Corp., or to any other person to anyone for any purpose is not to be regarded by implication or otherwise in any manner licensing, granting rights or permitting such holder or any other person to manufacture, use or sell any product, process or design, patented or otherwise, that may in any way be related to or disclosed by said drawings, specifications, or other data.	REFERENCE	CAD FILE F:\DWG\CNPD\31\320-1006-FSZ	SCALE: 3/1    SHEET 2 OF 2 DWG SIZE B    CODE ID 74868    REV F	DRAWING NO. 31-320-1006 ITEM NO. 31-320-1006 PART NO. 31-320-1006