

5

4

3

2

1

DRAWING NO.
25-7020

REVISIONS

01	OFFICIAL RELEASE			
	10-21-09			

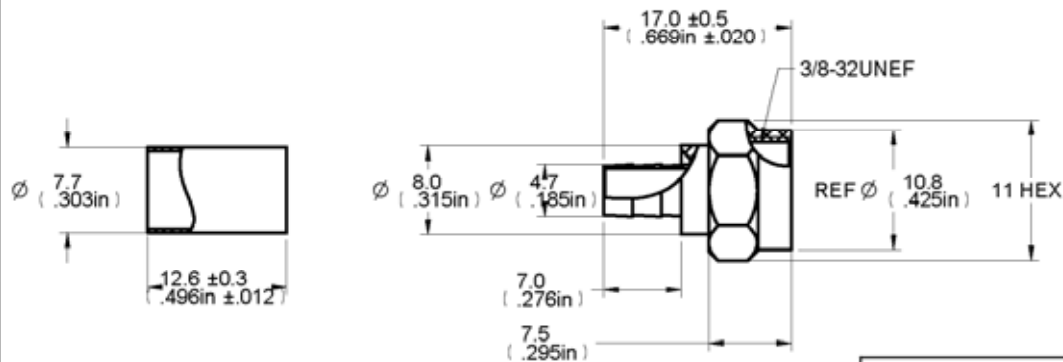
Betty
10/21/09
+0000

Description: CPF59 1/2 F-59(M) Crimp, RG59
 Part No: 25-7020
 Application: For RG-59 cable
 Crimp Tool: 24-9959P
 Impedance: 75ohms
 Frequency Range: 750 MHz
 Material: Body Nickel plated
 Sleeve Nickel plated
 Nut Nickel plated
 Yes
 RoHS Compliance: N/A
 Technical Detail: Refer to Emerson document P/N 25-0000



受控 CONTROLLED DOCUMENT

编号 P/N	25-7036-CUST	版本 Rev	01	日期 Rel'd Date	DEC 17,09
-----------	--------------	-----------	----	------------------	-----------



DIM OUTLINE

TOLERANCE UNLESS OTHERWISE SPECIFIED		DRAWN BY LINDA.WU	DATE 10-21-09
DECIMALS	mm	CHECKED BY LINDA.WU	DATE 10-21-09
X	± 0.5	APPROVED BY THOMAS	DATE 10-21-09
X.X	± 0.3	U/M	mm
X.XX	± 0.1		
ANGLES	$\pm 0.5^\circ$		

CUSTOMER COPY

TITLE
CPF59 1/2 F-59(M) CRIMP, RG59

SHEET 1 OF 1	DRAWING NO. 25-7020	SIZE A
-----------------	------------------------	-----------

THIS DRAWING WAS PRODUCED BY COMPUTER,
DO NOT SCALE DRAWING OR UPDATE MANUALLY.

5

4

3

2

1