

### FEATURES

#### Complete Receiver-on-a-Chip: Monoceiver® Mixer

- 15 dBm 1 dB Compression Point
- 8 dBm Input Third Order Intercept
- 500 MHz RF and LO Bandwidths

#### Linear IF Amplifier

- Linear-in-dB Gain Control
- Manual Gain Control

#### Quadrature Demodulator

- On-Board Phase-Locked Quadrature Oscillator
- Demodulates IFs from 1 MHz to 12 MHz
- Can Also Demodulate AM, CW, SSB

#### Low Power

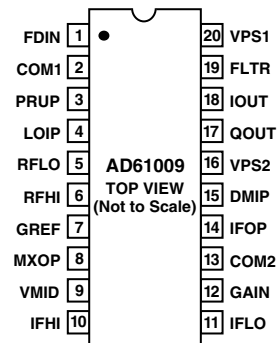
- 25 mW at 3 V
- CMOS Compatible Power-Down

### APPLICATIONS

- GSM and TETRA Receivers
- Satellite Terminals
- Battery-Powered Communications Receivers

### PIN CONFIGURATION

#### 20-Lead SSOP (RS Suffix)



### GENERAL DESCRIPTION

The AD61009 is a 3 V low power receiver IF subsystem for operation at input frequencies as high as 500 MHz and IFs from 400 kHz to 12 MHz. It consists of a mixer, IF amplifiers, I and Q demodulators, a phase-locked quadrature oscillator, and a biasing system with external power-down.

The AD61009's low noise, high intercept mixer is a doubly-balanced Gilbert cell type. It has a nominal -15 dBm input referred 1 dB compression point and a -8 dBm input referred third-order intercept. The mixer section of the AD61009 also includes a local oscillator (LO) preamplifier, which lowers the required LO drive to -16 dBm.

In MGC operation, the AD61009 accepts an external gain-control voltage input from an external AGC detector or a DAC.

A quadrature VCO phase-locked to the IF drives the I and Q demodulators. The I and Q demodulators can also demodulate AM; when the AD61009's quadrature VCO is phase locked to the received signal, the in-phase demodulator becomes a synchronous product detector for AM. The VCO can also be phase-locked to an external beat-frequency oscillator (BFO), and the demodulator serves as a product detector for CW or SSB reception. Finally, the AD61009 can be used to demodulate BPSK using an external Costas Loop for carrier recovery.

Monoceiver is a registered trademark of Analog Devices, Inc.

### REV. 0

Information furnished by Analog Devices is believed to be accurate and reliable. However, no responsibility is assumed by Analog Devices for its use, nor for any infringements of patents or other rights of third parties which may result from its use. No license is granted by implication or otherwise under any patent or patent rights of Analog Devices.

# AD61009—SPECIFICATIONS (@ T<sub>A</sub> = 25°C, Supply = 3.0 V, IF = 10.7 MHz, unless otherwise noted)

| Model                                | Conditions   | AD61009ARS |                   |      | Unit    |
|--------------------------------------|--|------------|-------------------|------|---------|
|                                      |  | Min        | Typ               | Max  |         |
| <b>DYNAMIC PERFORMANCE</b>           |  |            |                   |      |         |
| <b>MIXER</b>                         |  |            |                   |      |         |
| Maximum RF and LO Frequency Range    | For Conversion Gain > 20 dB                                  |            | 500               |      | MHz     |
| Maximum Mixer Input Voltage          | For Linear Operation; Between RFHI and RFLO                  |            | ±54               |      | mV      |
| Input 1 dB Compression Point         | RF Input Terminated in 50 Ω                                  |            | -15               |      | dBm     |
| Input Third-Order Intercept          | RF Input Terminated in 50 Ω                                  |            | -5                |      | dBm     |
| Noise Figure                         | Matched Input, Max Gain, f = 83 MHz, IF = 10.7 MHz           |            | 14                |      | dB      |
|                                      | Matched Input, Max Gain, f = 144 MHz, IF = 10.7 MHz          |            | 12                |      | dB      |
| Maximum Output Voltage at MXOP       | Z <sub>IF</sub> = 165 Ω, at Input Compression                |            | ±1.3              |      | V       |
| Mixer Output Bandwidth at MXOP       | -3 dB, Z <sub>IF</sub> = 165 Ω                               |            | 45                |      | MHz     |
| LO Drive Level                       | Mixer LO Input Terminated in 50 Ω                            |            | -16               |      | dBm     |
| LO Input Impedance                   | LOIP to VMID   |            | 1                 |      | kΩ      |
| Isolation, RF to IF                  | RF = 240 MHz, IF = 10.7 MHz, LO = 229.3 MHz                  |            | 30                |      | dB      |
| Isolation, LO to IF                  | RF = 240 MHz, IF = 10.7 MHz, LO = 229.3 MHz                  |            | 20                |      | dB      |
| Isolation, LO to RF                  | RF = 240 MHz, IF = 10.7 MHz, LO = 229.3 MHz                  |            | 40                |      | dB      |
| Isolation, IF to RF                  | RF = 240 MHz, IF = 10.7 MHz, LO = 229.3 MHz                  |            | 70                |      | dB      |
| <b>IF AMPLIFIERS</b>                 |  |            |                   |      |         |
| Noise Figure                         | Max Gain, f = 10.7 MHz                                       |            | 17                |      | dB      |
| Input 1 dB Compression Point         | IF = 10.7 MHz  |            | -15               |      | dBm     |
| Output Third-Order Intercept         | IF = 10.7 MHz  |            | 18                |      | dBm     |
| Maximum IF Output Voltage at IFOP    | Z <sub>IF</sub> = 600 Ω                                      |            | ±560              |      | mV      |
| Output Resistance at IFOP            | From IFOP to VMID  |            | 15                |      | Ω       |
| Bandwidth                            | -3 dB at IFOP, Max Gain                                      |            | 45                |      | MHz     |
| <b>GAIN CONTROL</b>                  |  |            |                   |      |         |
| Gain Control Range                   | (See Figures 10 and 11)<br>Mixer + IF Section, GREF to 1.5 V |            | 90                |      | dB      |
| Gain Scaling                         | GREF to 1.5 V  |            | 20                |      | mV/dB   |
|                                      | GREF to General Reference Voltage V <sub>R</sub>             |            | 75/V <sub>R</sub> |      | dB/V    |
| Gain Scaling Accuracy                | GREF to 1.5 V, 80 dB Span                                    |            | ±1                |      | dB      |
| Bias Current at GAIN                 |  |            | 5                 |      | μA      |
| Bias Current at GREF                 |  |            | 1                 |      | μA      |
| Input Resistance at GAIN, GREF       |  |            | 1                 |      | MΩ      |
| <b>I AND Q DEMODULATORS</b>          |  |            |                   |      |         |
| Required DC Bias at DMIP             |  |            | VPOS/2            |      | V dc    |
| Input Resistance at DMIP             | From DMIP to VMID  |            | 50                |      | kΩ      |
| Input Bias Current at DMIP           |  |            | 2                 |      | μA      |
| Maximum Input Voltage                | IF > 3 MHz   |            | ±150              |      | mV      |
|                                      | IF ≤ 3 MHz   |            | ±75               |      | mV      |
| Amplitude Balance                    | IF = 10.7 MHz, Outputs at 600 mV p-p, F = 100 kHz            |            | ±0.2              |      | dB      |
| Quadrature Error                     | IF = 10.7 MHz, Outputs at 600 mV p-p, F = 100 kHz            | -3.5       | -1.2              | +1.5 | Degrees |
| Phase Noise in Degrees               | IF = 10.7 MHz, F = 10 kHz                                    |            | -100              |      | dBc/Hz  |
| Demodulation Gain                    | Sine Wave Input, Baseband Output                             | 17.4       | 18                | 18.8 | dB      |
| Maximum Output Voltage               | R <sub>L</sub> ≥ 20 kΩ                                       |            | ±1.23             |      | V       |
| Output Offset Voltage                | Measured from I <sub>OUT</sub> , Q <sub>OUT</sub> to VMID    | -100       | 10                | +100 | mV      |
| Output Bandwidth                     | Sine Wave Input, Baseband Output                             |            | 1.5               |      | MHz     |
| <b>PLL</b>                           |  |            |                   |      |         |
| Required DC Bias at FDIN             |  |            | VPOS/2            |      | V dc    |
| Input Resistance at FDIN             | From FDIN to VMID  |            | 50                |      | kΩ      |
| Input Bias Current at FDIN           |  |            | 200               |      | nA      |
| Frequency Range                      |  |            | 1.0 to 12         |      | MHz     |
| Required Input Drive Level           | Sine Wave Input at Pin 1                                     |            | 400               |      | mV      |
| Acquisition Time to ±3°              | IF = 10.7 MHz  |            | 16.5              |      | μs      |
| <b>POWER-DOWN INTERFACE</b>          |  |            |                   |      |         |
| Logical Threshold                    | For Power Up on Logical High                                 |            | 2                 |      | V dc    |
| Input Current for Logical High       |  |            | 75                |      | μA      |
| Turn-On Response Time                | To PLL Locked  |            | 16.5              |      | μs      |
| Standby Current                      |  |            | 550               |      | μA      |
| <b>POWER SUPPLY</b>                  |  |            |                   |      |         |
| Supply Range                         |  | 2.85       |                   | 5.5  | V       |
| Supply Current                       |  |            | 8.5               | 12.5 | mA      |
| <b>OPERATING TEMPERATURE</b>         |  |            |                   |      |         |
| T <sub>MIN</sub> to T <sub>MAX</sub> | Operation to 2.85 V Minimum Supply Voltage                   | -25        |                   | +85  | °C      |
|                                      | Operation to 4.5 V Minimum Supply Voltage                    | -40        |                   | +85  | °C      |

Specifications subject to change without notice.

### ABSOLUTE MAXIMUM RATINGS<sup>1</sup>

|  |                 |
|--|-----------------|
| Supply Voltage VPS1, VPS2 to COM1, COM2    | 5.5 V           |
| Internal Power Dissipation <sup>2</sup>    | 600 mW          |
| 2.7 V to 5.5 V Operating Temperature Range | -25°C to +85°C  |
| 4.5 V to 5.5 V Operating Temperature Range | -40°C to +85°C  |
| Storage Temperature Range                  | -65°C to +150°C |
| Lead Temperature Range (Soldering 60 sec)  | 300°C           |

### NOTES

<sup>1</sup>Stresses above those listed under Absolute Maximum Rating may cause permanent damage to the device. This is a stress rating only; functional operation of the device at these or any other conditions above those indicated in the operational section of this specification is not implied. Exposure to absolute maximum rating conditions for extended periods may affect device reliability.

<sup>2</sup>Thermal Characteristics: 20-lead SSOP Package:  $\theta_{JA} = 126^{\circ}\text{C}/\text{W}$ .

### CAUTION

ESD (electrostatic discharge) sensitive device. Electrostatic charges as high as 4000 V readily accumulate on the human body and test equipment and can discharge without detection. Although the AD61009 features proprietary ESD protection circuitry, permanent damage may occur on devices subjected to high-energy electrostatic discharges. Therefore, proper ESD precautions are recommended to avoid performance degradation or loss of functionality.



### ORDERING GUIDE

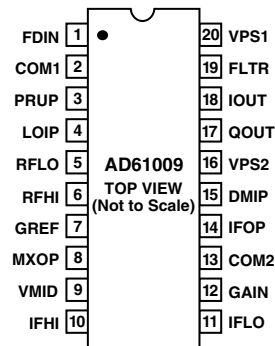
| Model      | Temperature Range  | Package Description  | Package Option |
|------------|--|----------------------|----------------|
| AD61009ARS | -25°C to +85°C for 2.7 V to 5.5 V Operation; -40°C to +85°C for 4.5 V to 5.5 V Operation | 20-Lead Plastic SSOP | RS-20          |

# AD61009

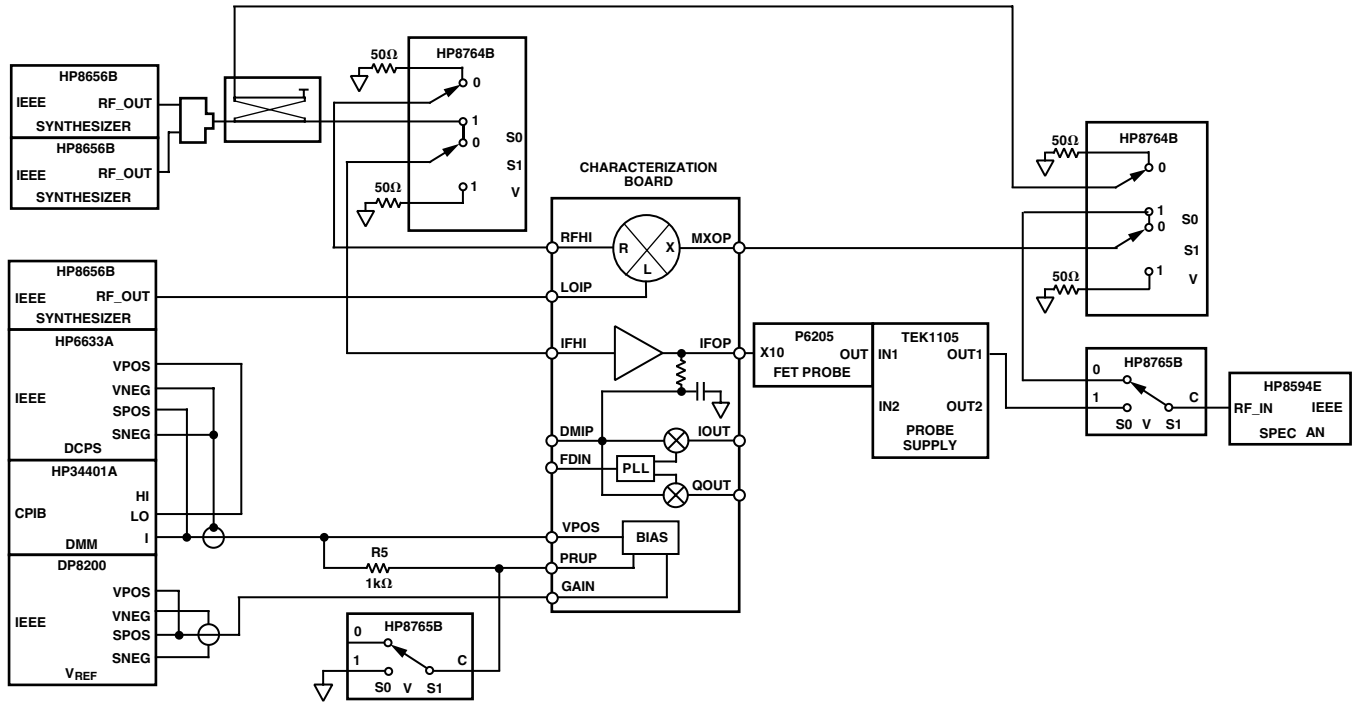
## PIN FUNCTION DESCRIPTIONS

| Pin | Mnemonic | Reads                    | Function  |
|-----|----------|--------------------------|---|
| 1   | FDIN     | Frequency Detector Input | PLL input for I/Q demodulator quadrature oscillator, $\pm 400$ mV drive required from external oscillator. Must be biased at $V_P/2$ .  |
| 2   | COM1     | Common #1                | Supply common for RF front end and main bias.   |
| 3   | PRUP     | Power-Up Input           | 3 V/5 V CMOS compatible power-up control; logical high = powered-up; max input level = VPS1 = VPS2.   |
| 4   | LOIP     | Local Oscillator Input   | LO input, ac coupled $\pm 54$ mV LO input required ( $-16$ dBm for $50 \Omega$ input termination).  |
| 5   | RFLO     | RF "Low" Input           | Usually connected to ac ground.   |
| 6   | RFHI     | RF "High" Input          | AC coupled, $\pm 56$ mV, max RF input for linear operation.   |
| 7   | GRES     | Gain Reference Input     | High impedance input, typically 1.5 V, sets gain scaling.   |
| 8   | MXOP     | Mixer Output             | High impedance, single-sided current output, $\pm 1.3$ V max voltage output ( $\pm 6$ mA max current output).   |
| 9   | VMID     | Midsupply Bias Voltage   | Output of the midsupply bias generator ( $VMID = VPOS/2$ ).   |
| 10  | IFHI     | IF "High" Input          | AC coupled IF input, $\pm 56$ mV max input for linear operation.  |
| 11  | IFLO     | IF "Low" Voltage         | Reference node for IF input; auto-offset null.  |
| 12  | GAIN     | Gain Control Input       | High impedance input, 0 V–2 V using 3 V supply, max gain at V = 0.  |
| 13  | COM2     | Common #2                | Supply common for IF stages and demodulator.  |
| 14  | IFOP     | IF Output                | Low impedance, single-sided voltage output, 5 dBm ( $\pm 560$ mV) max.  |
| 15  | DMIP     | Demodulator Input        | Signal input to I and Q demodulators $\pm 150$ mV max input at IF $> 3$ MHz for linear operation; $\pm 75$ mV max input at IF $< 3$ MHz for linear operation. Must be biased at $V_P/2$ . |
| 16  | VPS2     | VPOS Supply #2           | Supply to high-level IF, PLL, and demodulators.   |
| 17  | QOUT     | Quadrature Output        | Low impedance Q baseband output; $\pm 1.23$ V full scale in $20 \text{ k}\Omega$ min load; ac coupled.  |
| 18  | IOUT     | In-Phase Output          | Low impedance I baseband output; $\pm 1.23$ V full scale in $20 \text{ k}\Omega$ min load; ac coupled.  |
| 19  | FLTR     | PLL Loop Filter          | Series RC PLL Loop filter, connected to ground.   |
| 20  | VPS1     | VPOS Supply #1           | Supply to mixer, low level IF, PLL, and gain control.   |

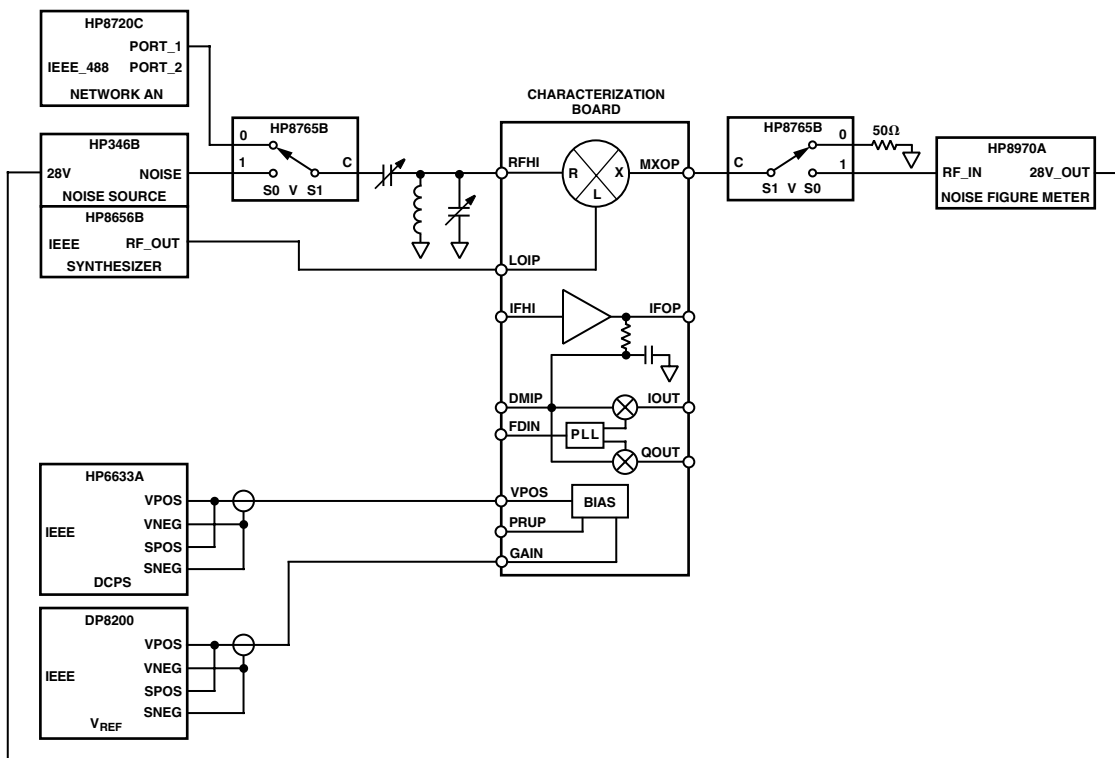
## PIN CONNECTION 20-Lead SSOP (RS-20)



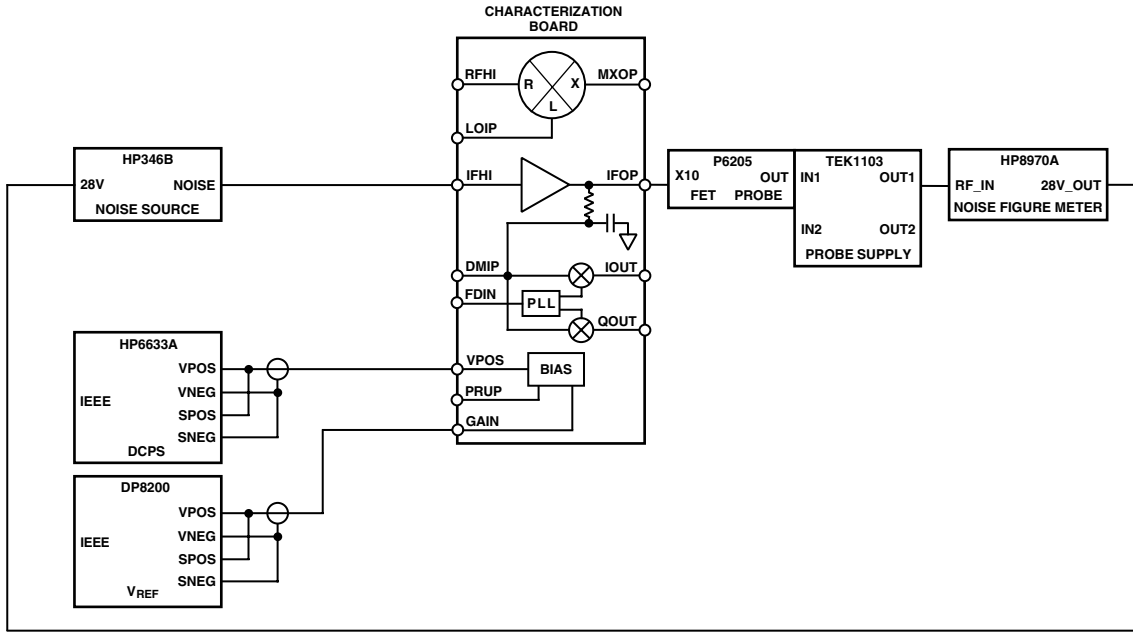
# Typical Performance Characteristics—AD61009



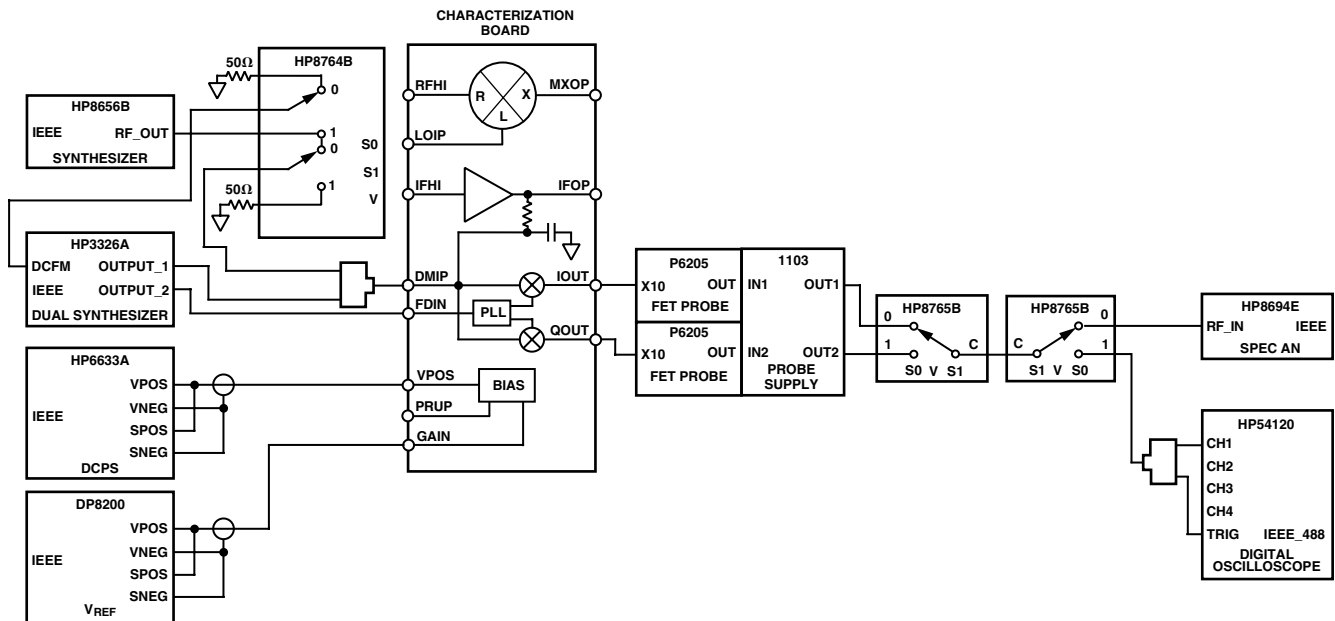
TPC 1. Mixer/Amplifier Test Set



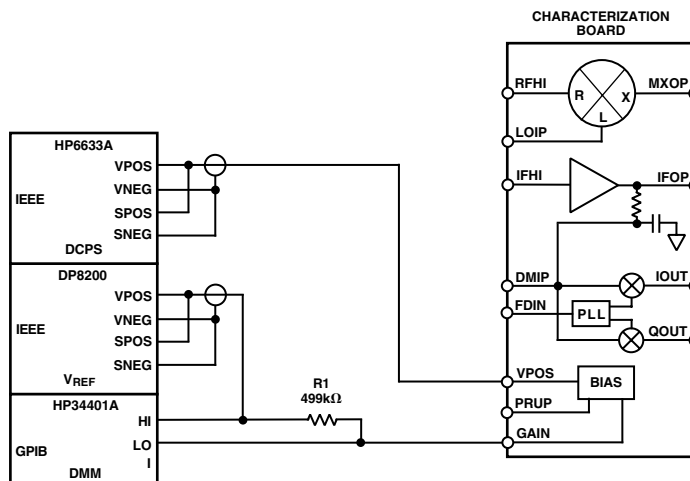
TPC 2. Mixer Noise Figure Test Set



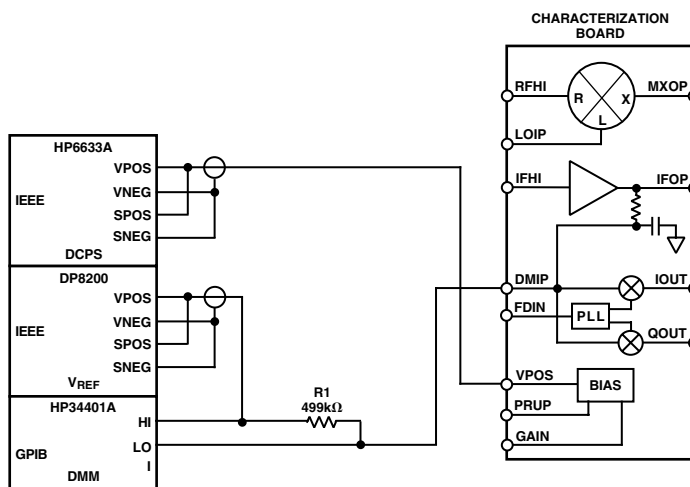
TPC 3. IF Amp Noise Figure Test Set



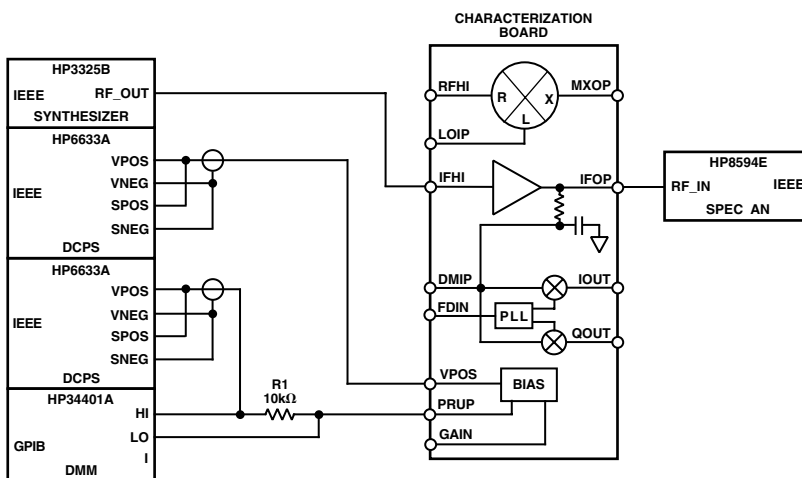
TPC 4. PLL/Demodulator Test Set



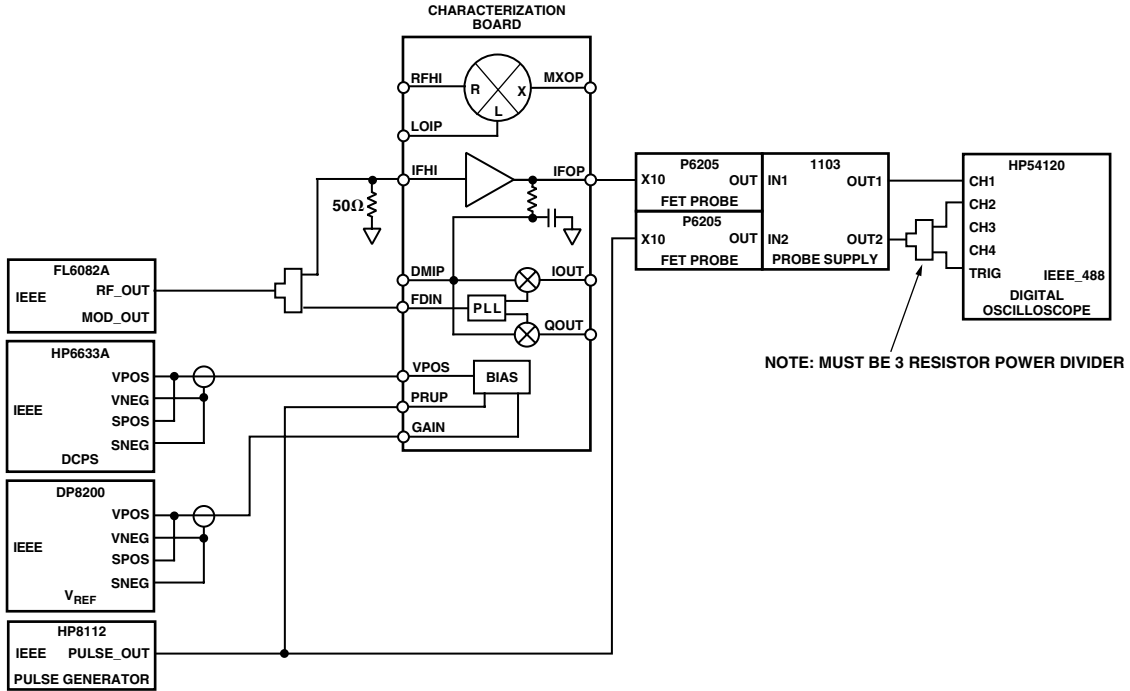
TPC 5. GAIN Pin Bias Test Set



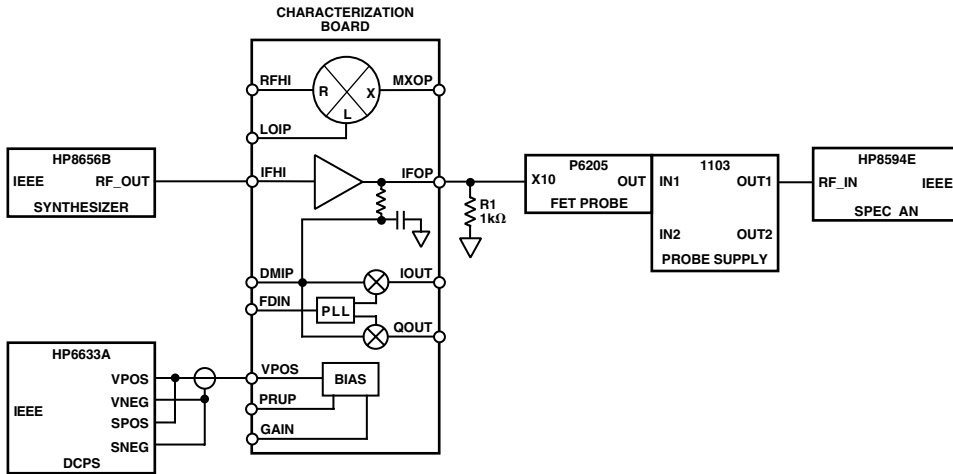
TPC 6. Demodulator Bias Test Set



TPC 7. Power-Up Threshold Test Set

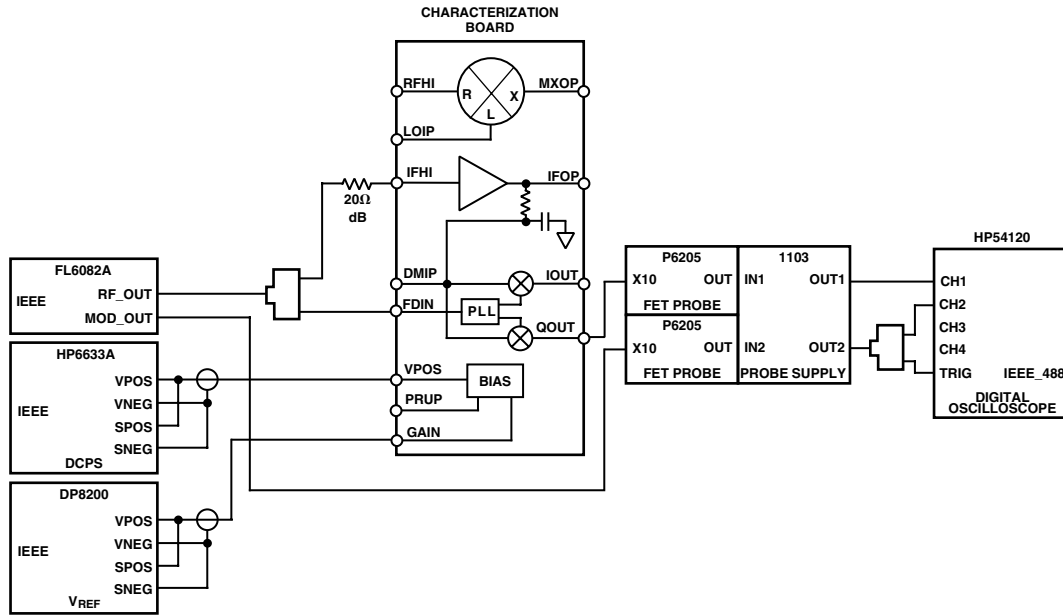


TPC 8. Power-Up Test Set

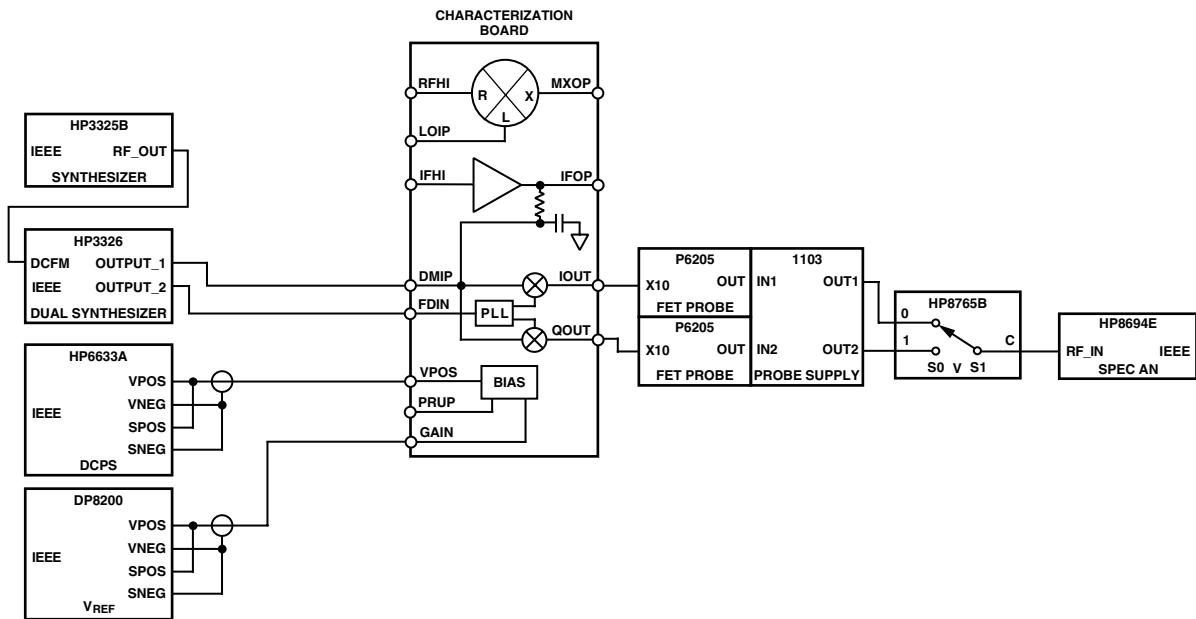


TPC 9. IF Output Impedance Test Set



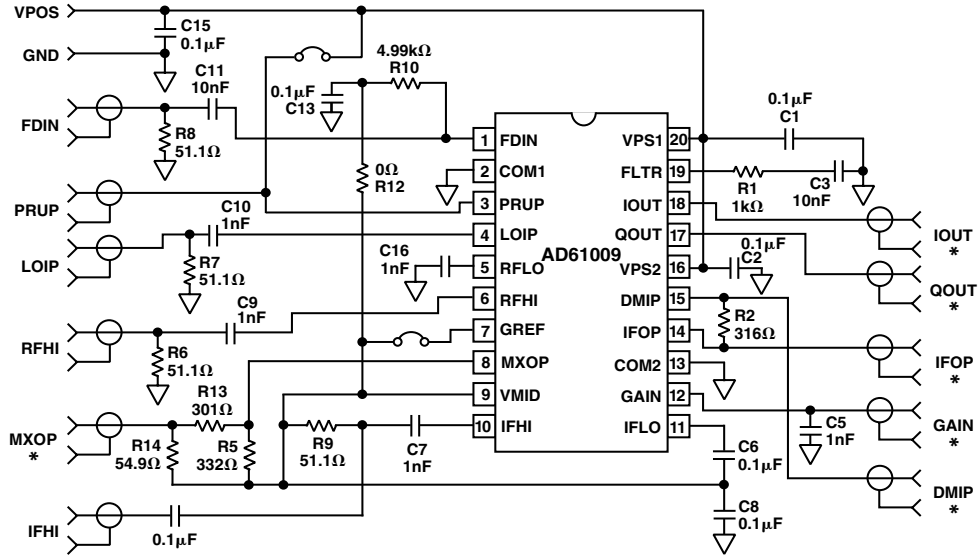


TPC 10. PLL Settling Time Test Set



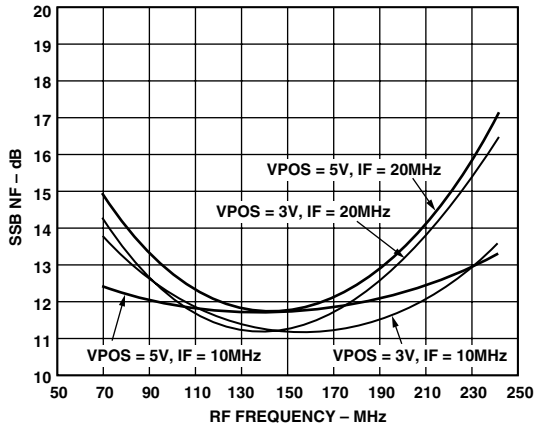
TPC 11. Quadrature Accuracy Test Set

# AD61009

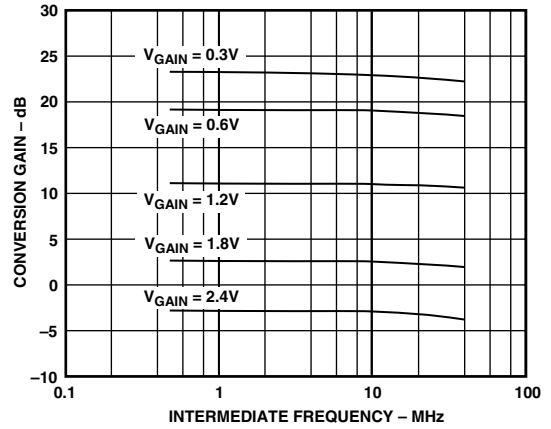


NOTE: CONNECTIONS MARKED \* ARE DC COUPLED.

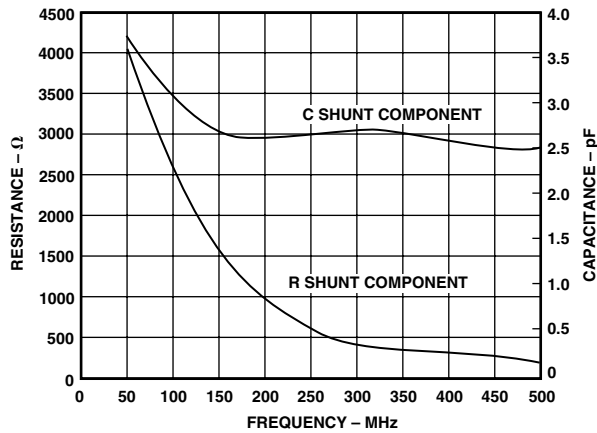
TPC 12. Characterization Board



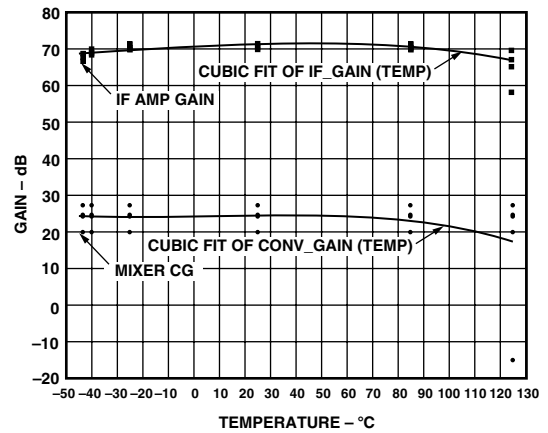
TPC 13. Mixer Noise Figure vs. Frequency



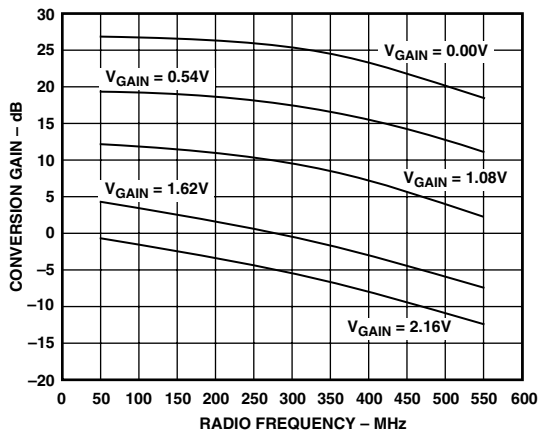
TPC 16. Mixer Conversion Gain vs. IF,  $T = 25^{\circ}\text{C}$ ,  $V_{\text{POS}} = 3\text{ V}$ ,  $V_{\text{REF}} = 1.5\text{ V}$



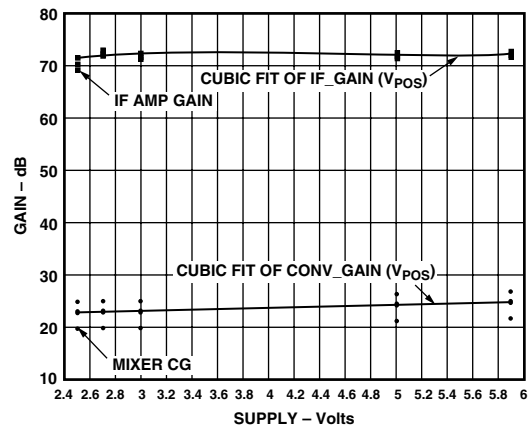
TPC 14. Mixer Input Impedance vs. Frequency,  $V_{\text{POS}} = 3\text{ V}$ ,  $V_{\text{GAIN}} = 0.8\text{ V}$



TPC 17. Mixer Conversion Gain and IF Amplifier Gain vs. Temperature,  $V_{\text{POS}} = 3\text{ V}$ ,  $V_{\text{GAIN}} = 0.3\text{ V}$ ,  $V_{\text{REF}} = 1.5\text{ V}$ ,  $\text{IF} = 10.7\text{ MHz}$ ,  $\text{RF} = 250\text{ MHz}$

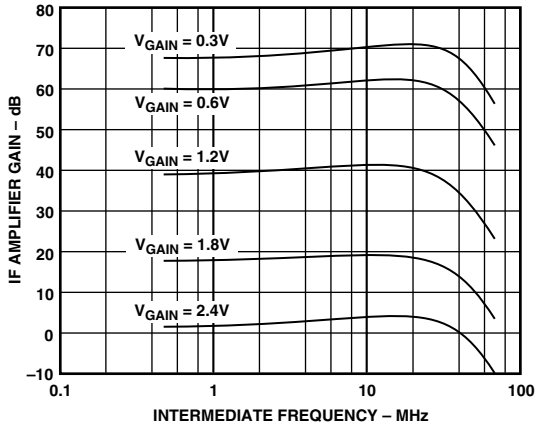


TPC 15. Mixer Conversion Gain vs. Frequency,  $T = 25^{\circ}\text{C}$ ,  $V_{\text{POS}} = 2.7\text{ V}$ ,  $V_{\text{REF}} = 1.35\text{ V}$ ,  $\text{IF} = 10.7\text{ MHz}$

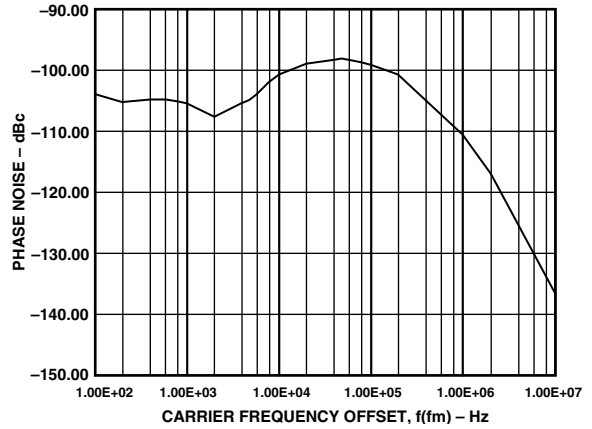


TPC 18. Mixer Conversion Gain and IF Amplifier Gain vs. Supply Voltage,  $T = 25^{\circ}\text{C}$ ,  $V_{\text{GAIN}} = 0.3\text{ V}$ ,  $V_{\text{REF}} = 1.5\text{ V}$ ,  $\text{IF} = 10.7\text{ MHz}$ ,  $\text{RF} = 250\text{ MHz}$

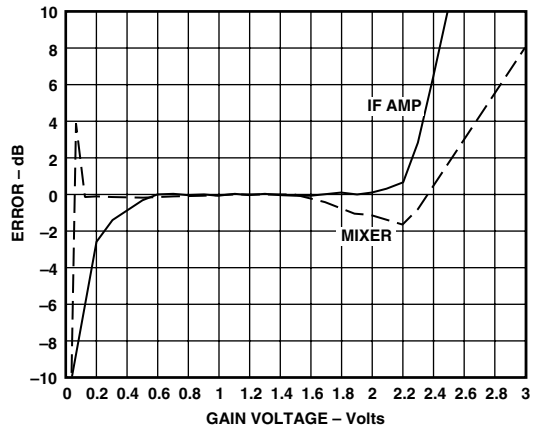
# AD61009



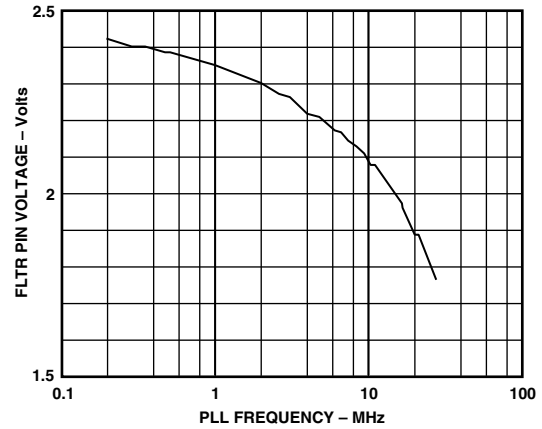
TPC 19. IF Amplifier Gain vs. Frequency,  $T = 25^{\circ}\text{C}$ ,  $V_{\text{POS}} = 3\text{ V}$ ,  $V_{\text{REF}} = 1.5\text{ V}$



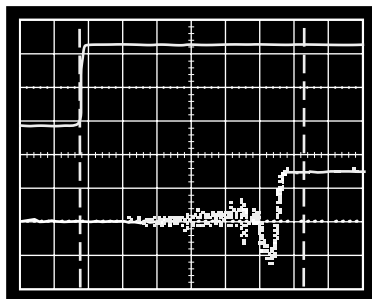
TPC 22. PLL Phase Noise L (F) vs. Frequency,  $V_{\text{POS}} = 3\text{ V}$ ,  $C_3 = 0.1\ \mu\text{F}$ ,  $\text{IF} = 10.7\text{ MHz}$



TPC 20. Gain Error vs. Gain Control Voltage, Representative Part

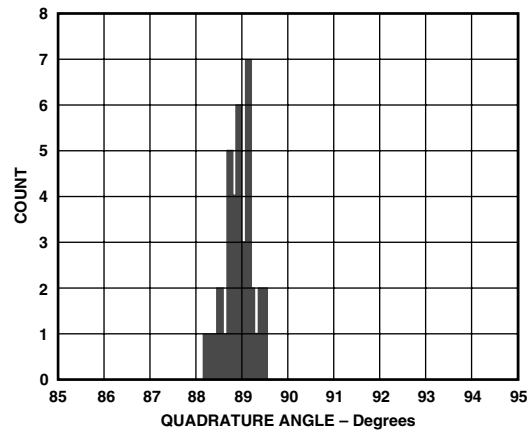


TPC 23. PLL Loop Voltage at FLTR ( $K_{VCO}$ ) vs. Frequency

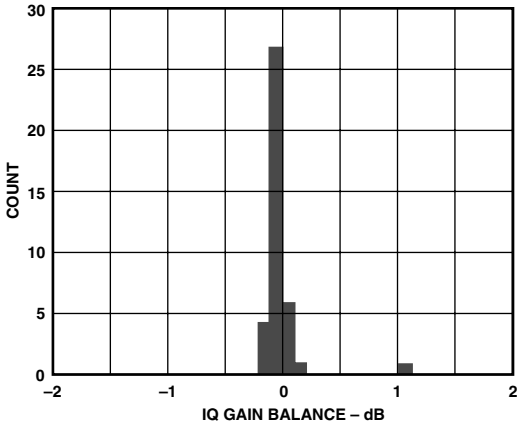


996.200 $\mu\text{s}$       1.00870ms      1.02120ms  
 TIMEBASE = 2.5 $\mu\text{s}$ /DIV      DELAY = 1.00870ms  
 MEMORY 1 = 100.0mV/DIV      OFFSET = 127.3mV  
 TIMEBASE = 2.50 $\mu\text{s}$ /DIV      DELAY = 1.00870ms  
 MEMORY 2 = 20.00mV/DIV      OFFSET = 155.2mV  
 TIMEBASE = 2.50 $\mu\text{s}$ /DIV      DELAY = 1.00870ms  
 DELTA T = 16.5199 $\mu\text{s}$   
 START = 1.00048ms      STOP = 1.01700ms  
 TRIGGER ON EXTERNAL AT POS. EDGE AT 134.0mV

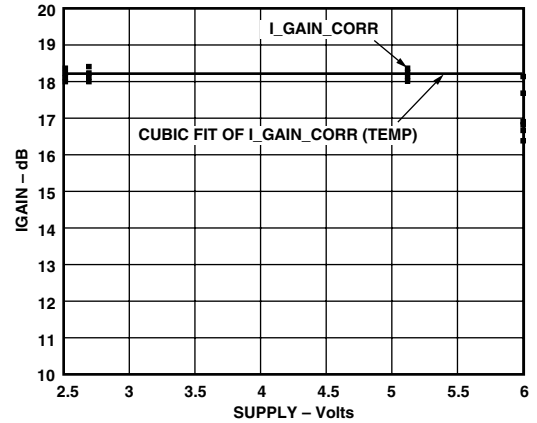
TPC 21. PLL Acquisition Time



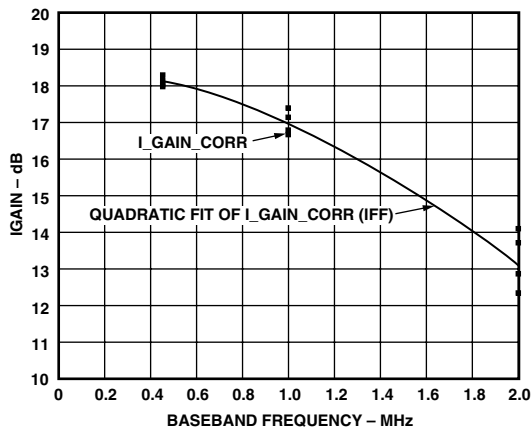
TPC 24. Demodulator Quadrature Angle, Histogram,  $T = 25^{\circ}\text{C}$ ,  $V_{\text{POS}} = 3\text{ V}$ ,  $\text{IF} = 10.7\text{ MHz}$



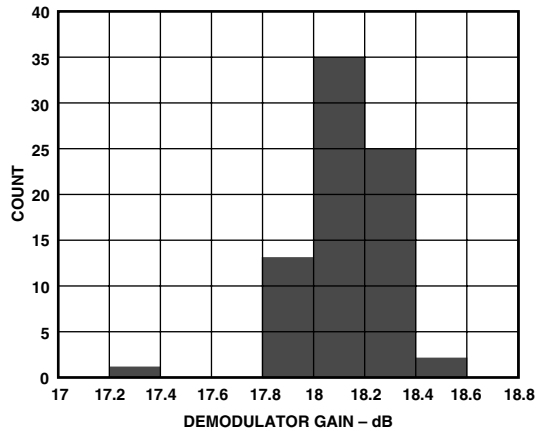
TPC 25. Demodulator Gain Balance, Histogram,  $T = 25^{\circ}\text{C}$ ,  $V_{\text{POS}} = 3\text{ V}$ ,  $IF = 10.7\text{ MHz}$



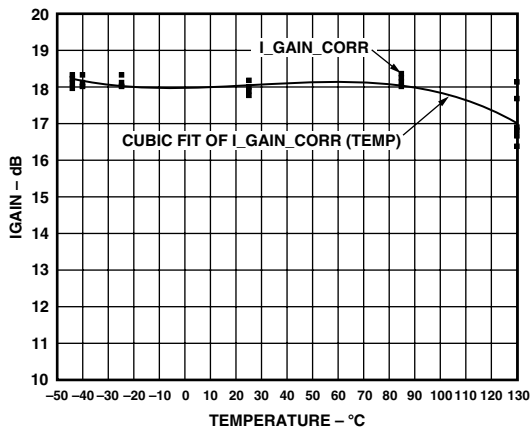
TPC 28. Demodulator Gain vs. Supply Voltage



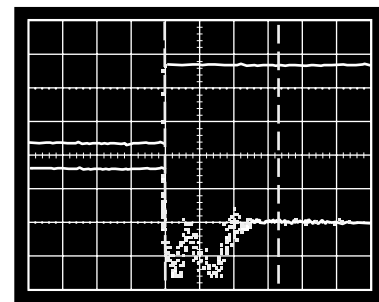
TPC 26. Demodulator Gain vs. Frequency



TPC 29. Demodulator Gain Histogram,  $T = 25^{\circ}\text{C}$ ,  $V_{\text{POS}} = 3\text{ V}$ ,  $IF = 10.7\text{ MHz}$



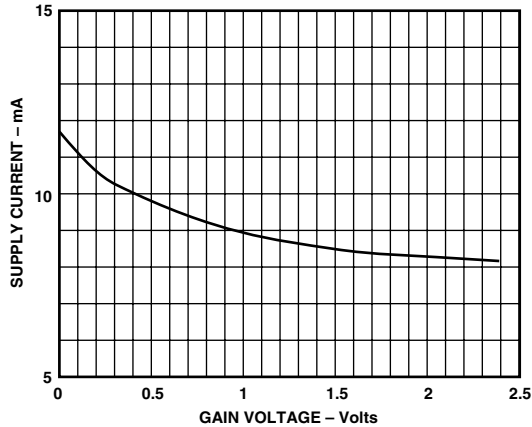
TPC 27. Demodulator Gain vs. Temperature



40.2127ms      40.2377ms      40.2627ms  
 TIMEBASE = 500µs/DIV      DELAY = 40.2377ms  
 MEMORY 1 = 100.0mV/DIV      OFFSET = 154.0mV  
 TIMEBASE = 5.00µs/DIV      DELAY = 40.2377ms  
 MEMORY 2 = 60.00mV/DIV      OFFSET = 209.0mV  
 TIMEBASE = 5.00µs/DIV      DELAY = 40.2377ms  
 DELTA T = 15.7990µs  
 START = 40.2327ms      STOP = 40.2485ms  
 TRIGGER ON EXTERNAL AT POS. EDGE AT 40.0mV

TPC 30. Power-Up Response Time to PLL Stable

# AD61009



TPC 31. Power Supply Current vs. Gain Control Voltage,  $G_{REF} = 1.5 V$

## PRODUCT OVERVIEW

The AD61009 provides most of the active circuitry required to realize a complete low power, single-conversion superheterodyne receiver, or most of a double-conversion receiver, at input frequencies up to 500 MHz, and with an IF of from 400 kHz to 12 MHz. The internal I/Q demodulators, and their associated phase locked-loop, which can provide carrier recovery from the IF, support a wide variety of modulation modes, including n-PSK, n-QAM, and AM. A single positive supply voltage of 3 V is required (2.85 V minimum, 5.5 V maximum) at a typical supply current of 8.5 mA at midgain. In the following discussion,  $V_P$  will be used to denote the power supply voltage, which will be assumed to be 3 V.

Figure 1 shows the main sections of the AD61009. It consists of a variable-gain UHF mixer and linear four-stage IF strip, which together provide a voltage controlled gain range of more than 90 dB; followed by dual demodulators, each comprising a multiplier followed by a two-pole, 2 MHz low-pass filter; and driven by a phase-locked loop providing the inphase and quadrature clocks. A biasing system with CMOS compatible power-down completes the AD61009.

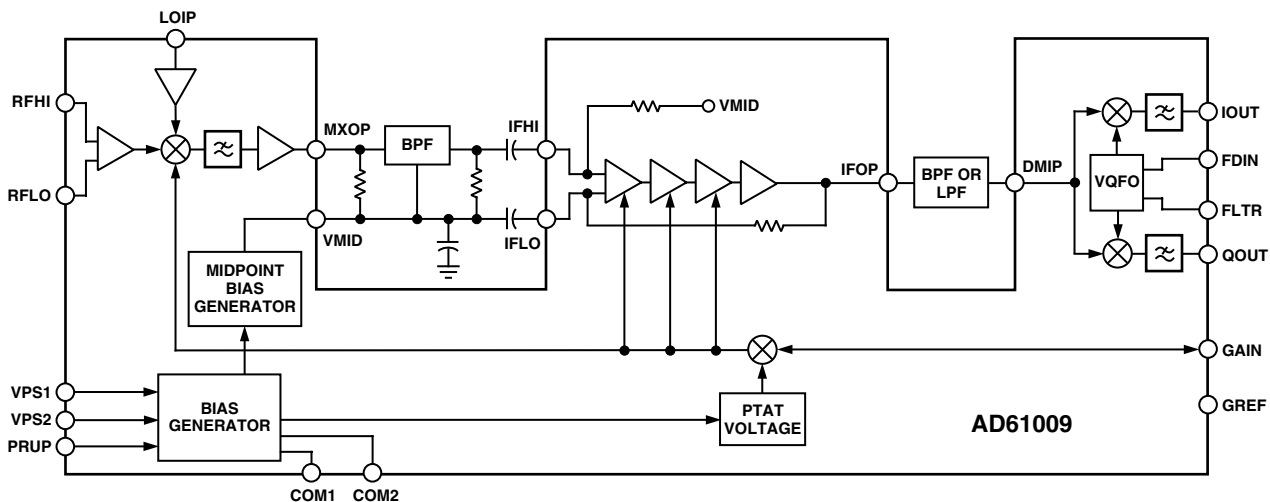
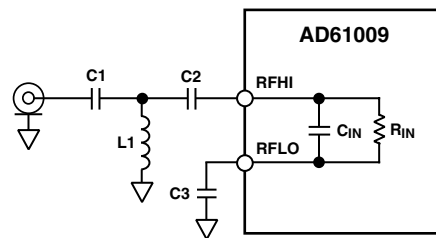


Figure 1. Functional Block Diagram

## Mixer

The UHF mixer is an improved Gilbert cell design, and can operate from low frequencies (it is internally dc-coupled) up to an RF input of 500 MHz. The dynamic range at the input of the mixer is determined, at the upper end, by the maximum input signal level of  $\pm 56$  mV between RFHI and RFLO up to which the mixer remains linear, and, at the lower end, by the noise level. It is customary to define the linearity of a mixer in terms of the 1 dB gain-compression point and third-order intercept, which for the AD61009 are  $-15$  dBm and  $-8$  dBm, respectively, in a  $50 \Omega$  system.

The mixer's RF input port is differential, that is, pin RFLO is functionally identical to RFHI, and these nodes are internally biased; we will generally assume that RFLO is decoupled to ac ground. The RF port can be modeled as a parallel RC circuit as shown in Figure 2.



C1, C2, L1: OPTIONAL MATCHING CIRCUIT  
C3: COUPLES RFLO TO AC GROUND

Figure 2. Mixer Port Modeled as a Parallel RC Network; an Optional Matching Network Is also Shown

The local oscillator (LO) input is internally biased at  $V_P/2$  via a nominal  $1000 \Omega$  resistor internally connected from pin LOIP to VMID. The LO interface includes a preamplifier which minimizes the drive requirements, thus simplifying the oscillator design and reducing LO leakage from the RF port. Internally, this single-sided input is actually differential; the noninverting input is referenced to pin VMID. The LO requires a single-sided drive of  $\pm 50$  mV, or  $-16$  dBm in a  $50 \Omega$  system.

The mixer's output passes through both a low-pass filter and a buffer, which provides an internal differential to single-ended signal conversion with a bandwidth of approximately 45 MHz. Its output at pin MXOP is in the form of a single-ended current. This approach eliminates the 6 dB voltage loss of the usual series termination by replacing it with shunt terminations at the both the input and the output of the filter. The nominal conversion gain is specified for operation into a total IF bandpass filter (BPF) load of 165 Ω, that is, a 330 Ω filter, doubly-terminated as shown in Figure 33. Note that these loads are connected to bias point VMID, which is always at the midpoint of the supply (that is,  $V_P/2$ ).

The conversion gain is measured between the mixer input and the input of this filter, and varies between 1.5 dB and 26.5 dB for a 165 Ω load impedance. Using filters of higher impedance, the conversion gain can always be maintained at its specified value or made even higher; for filters of lower impedance, of say  $Z_O$ , the conversion gain will be lowered by  $10 \log_{10}(165/Z_O)$ . Thus, the use of a 50 Ω filter will result in a conversion gain that is 5.2 dB lower. Figure 3 shows filter matching networks and Table I lists resistor values.

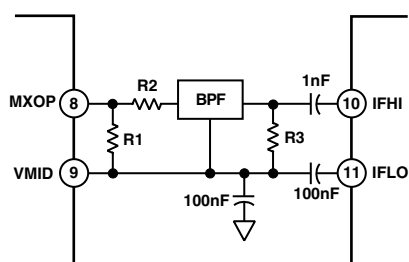


Figure 3. Suggested IF Filter Matching Network. The Values of R1 and R2 Are Selected to Keep the Impedance at Pin MXOP at 165 Ω

Table I. AD61009 Filter Termination Resistor Values for Common IFs

| IF       | Filter Impedance | Filter Termination Resistor Values <sup>1</sup> for 24 dB of Mixer Gain |        |        |
|----------|------------------|---|--------|--------|
|          |                  | R1  | R2     | R3     |
| 450 kHz  | 1500 Ω           | 174 Ω   | 1330 Ω | 1500 Ω |
| 455 kHz  | 1500 Ω           | 174 Ω   | 1330 Ω | 1500 Ω |
| 6.5 MHz  | 1000 Ω           | 215 Ω   | 787 Ω  | 1000 Ω |
| 10.7 MHz | 330 Ω            | 330 Ω   | 0 Ω    | 330 Ω  |

NOTE

<sup>1</sup>Resistor values were calculated such that  $R1 + R2 = Z_{FILTER}$  and  $R1 || (R2 + Z_{FILTER}) = 165 \Omega$ .

The maximum permissible signal level at MXOP is determined by both voltage and current limitations. Using a 3 V supply and VMID at 1.5 V, the maximum swing is about  $\pm 1.3$  V. To attain a voltage swing of  $\pm 1$  V in the standard IF filter load of 165 Ω load requires a peak drive current of about  $\pm 6$  mA, which is well within the linear capability of the mixer. However, these upper limits for voltage and current should not be confused with issues related to the mixer gain, already discussed. In an operational system, the AGC voltage will determine the mixer gain, and hence the signal level at the IF input pin IFHI; it will always be less than  $\pm 56$  mV ( $-15$  dBm into 50 Ω), which is the limit of the IF amplifier's linear range.

### IF Amplifier

Most of the gain in the AD61009 arises in the IF amplifier strip, which comprises four stages. The first three are fully differential and each has a gain span of 25 dB for the nominal AGC voltage range. Thus, in conjunction with the mixer's variable gain, the total gain exceeds 90 dB. The final IF stage has a fixed gain of 20 dB, and it also provides differential to single-ended conversion.

The IF input is differential, at IFHI (noninverting relative to the output IFOP) and IFLO (inverting). Figure 4 shows a simplified schematic of the IF interface. The offset voltage of this stage would cause a large dc output error at high gain, so it is nulled by a low-pass feedback path from the IF output, also shown in TPC 25. Unlike the mixer output, the signal at IFOP is a low-impedance single-sided voltage, centered at  $V_P/2$  by the dc feedback loop. It may be loaded by a resistance as low as 50 Ω, which will normally be connected to VMID.

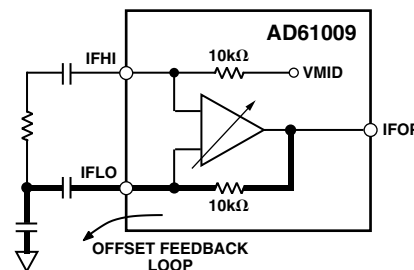
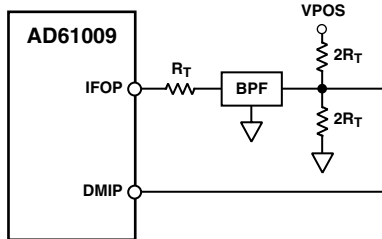


Figure 4. Simplified Schematic of the IF Interface

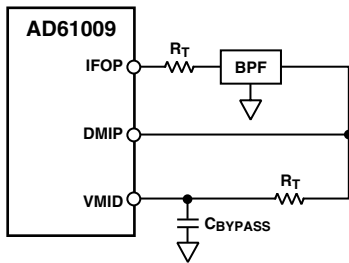
The IF's small-signal bandwidth is approximately 45 MHz from IFHI and IFLO through IFOP. The peak output at IFOP is  $\pm 560$  mV at  $V_P = 3$  V and  $\pm 400$  mV at the minimum  $V_P$  of 2.7 V. This allows some headroom at the demodulator inputs (pin DMIP), which accept a maximum input of  $\pm 150$  mV for IFs  $> 3$  MHz and  $\pm 75$  mV for IFs  $\leq 3$  MHz (at IFs  $\leq 3$  MHz, the drive to the demodulators must be reduced to avoid saturating the output amplifiers with higher order mixing products that are no longer removed by the onboard low-pass filters).

# AD61009

Since there is no band-limiting in the IF strip, the output-referred noise can be quite high; in a typical application and at a gain of 75 dB it is about 100 mV rms, making post-IF filtering desirable. IFOP may be also used as an IF output for driving an A/D converter, external demodulator, or external AGC detector. Figure 5 shows methods of matching the optional second IF filter.



a. Biasing DMIP from Power Supply (Assumes BPF AC Coupled Internally)



b. Biasing DMIP from VMID (Assumes BPF AC Coupled Internally)

Figure 5. Input and Output Matching of the Optional Second IF Filter

## Gain Scaling and RSSI

The AD61009's overall gain, expressed in decibels, is linear-in-dB with respect to the AGC voltage  $V_G$  at pin GAIN. The gain of all sections is maximum when  $V_G$  is zero, and reduces progressively up to  $V_G = 2.2$  V (for  $V_P = 3$  V; in general, up to a limit  $V_P - 0.8$  V). The gain of all stages changes in parallel. The

AD61009 features temperature-compensation of the gain scaling. The gain control scaling is proportional to the reference voltage applied to the pin GREF. When this pin is tied to the midpoint of the supply (VMID), the scale is nominally 20 mV/dB (50 dB/V) for  $V_P = 3$  V. Under these conditions, the lower 80 dB of gain range (mixer plus IF) corresponds to a control voltage of  $0.4$  V  $\leq V_G \leq 2.0$  V. The final centering of this 1.6 V range depends on the insertion losses of the IF filters used. More generally, the gain scaling using these connections is  $V_P/150$  (volts per dB), so becomes 33.3 mV/dB (30 dB/V) using a 5 V supply, with a proportional change in the AGC range, to  $0.33$  V  $\leq V_G \leq 3$  V, Table II lists gain control voltages and scale factors for power supply voltages from 3 V to 5.5 V.

Alternatively, pin GREF can be tied to an external voltage reference,  $V_R$ , provided, for example, by an AD1582 (2.5 V) or AD1580 (1.21 V) voltage reference, to provide supply-independent gain scaling of  $V_R/75$  (volts per dB). Since it uses the same reference voltage, the numerical input to this DAC provides an accurate RSSI value in digital form, no longer requiring the reference voltage to have high absolute accuracy.

## I/Q Demodulators

Both demodulators (I and Q) receive their inputs at pin DMIP. Internally, this single-sided input is actually differential; the noninverting input is referenced to pin VMID. Each demodulator comprises a full-wave synchronous detector followed by a 2 MHz, two-pole low-pass filter, producing single-sided outputs at pins IOUT and QOT. Using the I and Q demodulators for IFs above 12 MHz is precluded by the 1 MHz to 12 MHz response of the PLL used in the demodulator section. Pin DMIP requires an external bias source at  $V_P/2$ ; Figure 6 shows suggested methods.

Outputs IOUT and QOUT are centered at  $V_P/2$  and can swing up to  $\pm 1.23$  V even at the low supply voltage of 2.85 V. The conversion gain of the I and Q demodulators is 18 dB (X8), requiring a maximum input amplitude at DMIP of  $\pm 150$  mV for IFs  $> 3$  MHz.

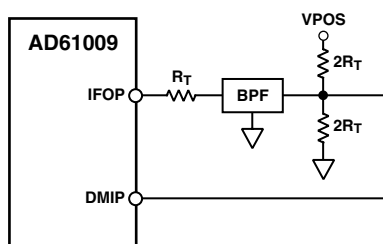
Table II. AD61009 Gain and Manual Gain Control Voltage vs. Power Supply Voltage

| Power Supply Voltage (V) | GREF (= VMID) (V) | Scale Factor (dB/V) | Scale Factor (mV/dB) | Gain Control Voltage Input Range (V) |
|--------------------------|-------------------|---------------------|----------------------|--------------------------------------|
| 3.0                      | 1.5               | 50.00               | 20.00                | 0.400–2.000                          |
| 3.5                      | 1.75              | 42.86               | 23.33                | 0.467–2.333                          |
| 4.0                      | 2.0               | 37.50               | 26.67                | 0.533–2.667                          |
| 4.5                      | 2.25              | 33.33               | 30.00                | 0.600–3.000                          |
| 5.0                      | 2.5               | 30.00               | 33.33                | 0.667–3.333                          |
| 5.5                      | 2.75              | 27.27               | 36.67                | 0.733–3.667                          |

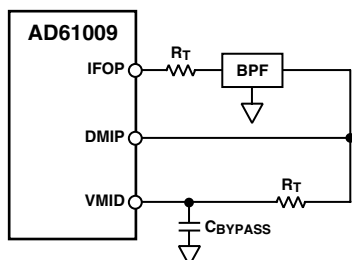
NOTE

Maximum gain occurs for gain control voltage = 0 V.





a. Biasing DMIP from Power Supply (Assumes BPF AC-Coupled Internally)



b. Biasing DMIP from VMID (Assumes BPF AC-Coupled Internally)

Figure 6. Suggested Methods for Biasing Pin DMIP at  $V_P/2$

For IFs < 3 MHz, the on-chip low-pass filters (2 MHz cutoff) do not attenuate the IF or feedthrough products; thus, the maximum input voltage at DMIP must be limited to  $\pm 75$  mV to allow sufficient headroom at the I and Q outputs for not only the desired baseband signal but also the unattenuated higher-order demodulation products. These products can be removed by an external low-pass filter.

### Phase-Locked Loop

The demodulators are driven by quadrature signals that are provided by a variable frequency quadrature oscillator (VFQO), phase locked to a reference signal applied to pin FDIN. When this signal is at the IF, inphase and quadrature baseband outputs are generated at IOUT and QOUT, respectively. The quadrature accuracy of this VFQO is typically  $-1.2^\circ$  at 10.7 MHz. The PLL uses a sequential-phase detector that comprises low power emitter-coupled logic and a charge pump (Figure 7).

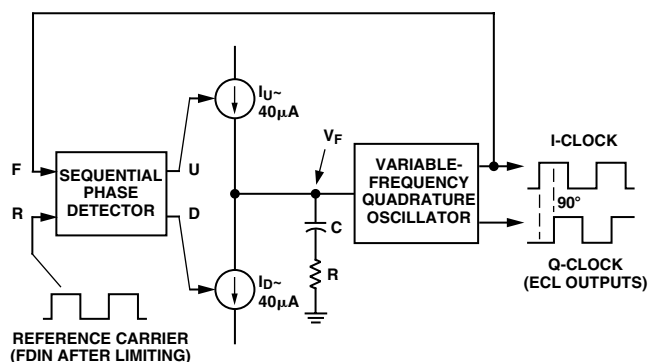


Figure 7. Simplified Schematic of the PLL and Quadrature VCO

The reference signal may be provided from an external source, in the form of a high-level clock, typically a low level signal ( $\pm 400$  mV) since there is an input amplifier between FDIN and the loop's phase detector. For example, the IF output itself can be used by connecting DMIP to FDIN, which will then provide automatic carrier recover for synchronous AM detection and take advantage of any post-IF filtering. Pin FDIN must be biased at  $V_P/2$ ; Figure 9 shows suggested methods.

The VFQO operates from 1 MHz to 12 MHz and is controlled by the voltage between VPOS and FLTR. In normal operation, a series RC network, forming the PLL loop filter, is connected from FLTR to ground. The use of an integral sample-hold system ensures that the frequency-control voltage on pin FLTR remains held during power-down, so reacquisition of the carrier typically occurs in 16.5  $\mu$ s.

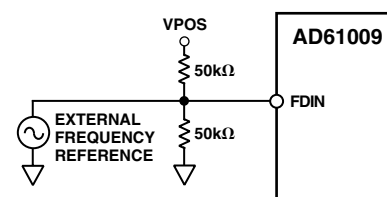
In practice, the probability of a phase mismatch at power-up is high, so the worst-case linear settling period to full lock needs to be considered in making filter choices. This is typically 16.5  $\mu$ s at an IF of 10.7 MHz for a  $\pm 100$  mV signal at DMIP and FDIN.

### Bias System

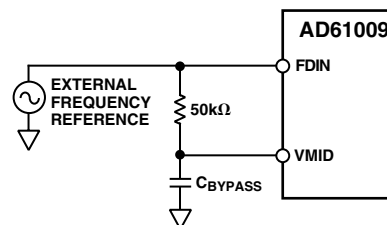
The AD61009 operates from a single supply,  $V_P$ , usually of 3 V, at a typical supply current of 8.5 mA at midgain and  $T = 27^\circ\text{C}$ , corresponding to a power consumption of 25 mW. Any voltage from 2.85 V to 5.5 V may be used.

The bias system includes a fast-acting active-high CMOS-compatible power-up switch, allowing the part to idle at 550  $\mu$ A when disabled. Biasing is proportional-to-absolute-temperature (PTAT) to ensure stable gain with temperature.

An independent regulator generates a voltage at the midpoint of the supply ( $V_P/2$ ) which appears at the VMID pin, at a low impedance. This voltage does not shut down, ensuring that the major signal interfaces (e.g., mixer-to-IF and IF-to-demodulators) remain biased at all times, thus minimizing transient disturbances at power-up and allowing the use of substantial decoupling capacitors on this node. The quiescent consumption of this regulator is included in the idling current.



a. Biasing FDIN from Supply when Using External Frequency Reference



b. Biasing FDIN from VMID when Using External Frequency Reference

Figure 8. Suggested Methods for Biasing Pin FDIN at  $V_P/2$

# AD61009

## USING THE AD61009

In this section, we will focus on a few areas of special importance and include a few general application tips. As is true of any wideband high gain component, great care is needed in PC board layout. The location of the particular grounding points must be considered with due regard to possibility of unwanted signal coupling, particularly from IFOP to RFHI or IFHI or both.

The high sensitivity of the AD61009 leads to the possibility that unwanted local EM signals may have an effect on the performance. During system development, carefully-shielded test assemblies should be used. The best solution is to use a fully-enclosed box enclosing all components, with the minimum number of needed signal connectors (RF, LO, I and Q outputs) in miniature coax form.

The I and Q output leads can include small series resistors (about 100 Ω) inside the shielded box without significant loss of performance, provided the external loading during testing is light (that is, a resistive load of more than 20 kΩ and capacitances of a few picofarads). These help to keep unwanted RF emanations out of the interior.

The power supply should be connected via a through-hole capacitor with a ferrite bead on both inside and outside leads. Close to the IC pins, two capacitors of different value should be used to decouple the main supply ( $V_p$ ) and the midpoint supply pin, VMID. Guidance on these matters is also generally included in applications schematics.

### Gain Distribution

As in all receivers, the most critical decisions in effectively using the AD61009 relate to the partitioning of gain between the various subsections (Mixer, IF Amplifier, Demodulators) and the placement of filters, so as to achieve the highest overall signal-to-noise ratio and lowest intermodulation distortion.

Figure 9 shows the main RF/IF signal path at maximum and minimum gain levels.

As noted earlier, the gain in dB is reduced linearly with the voltage  $V_G$  on the GAIN pin. Figure 10 shows how the mixer and IF strip gains vary with  $V_G$  when GREF is connected to VMID (1.5 V) and a supply voltage of 3 V is used. Figure 11 shows how these vary when GREF is connected to a 1.23 V reference.

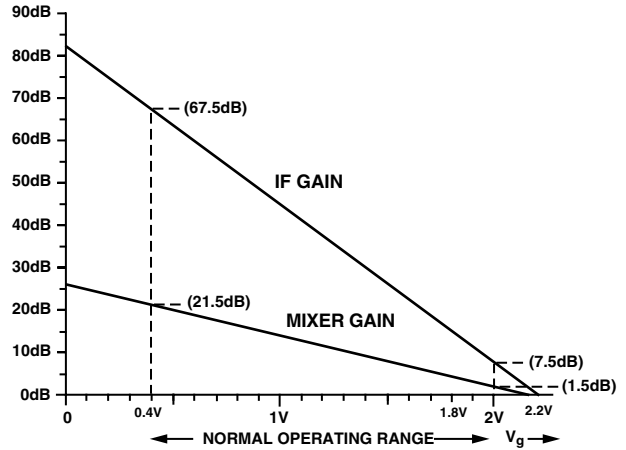


Figure 10. Gain Distribution for GREF = 1.5 V

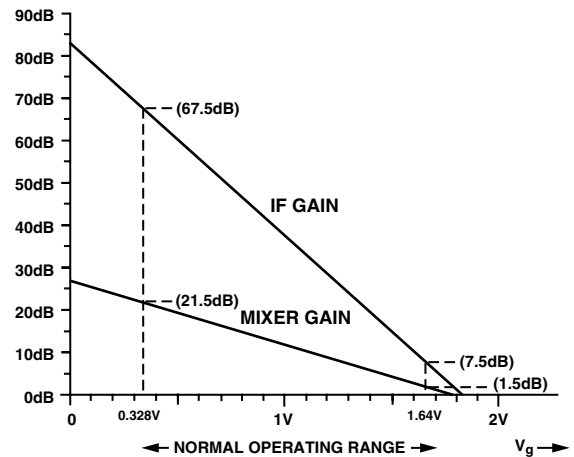


Figure 11. Gain Distribution for GREF = 1.23 V

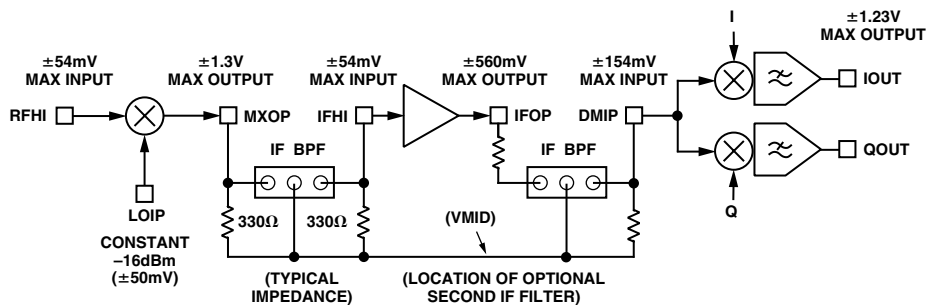


Figure 9. Signal Levels for Minimum and Maximum Gain

### Using the AD61009 with a Fast PRUP Control Signal

If the AD61009 is used in a system in which the PRUP signal (Pin 3) is applied with a rise time less than  $35\ \mu\text{s}$ , anomalous behavior occasionally occurs. The problem is intermittent, so it will not occur every time the part is powered up under these conditions. It does not occur for any other normal operating conditions when the PRUP signal has a rise time slower than  $35\ \mu\text{s}$ . Symptoms of operation with too fast a PRUP signal include low gain, oscillations at the I or Q outputs of the device or no valid data occurring at the output of the AD61009. The problem causes no permanent damage to the AD61009, so it will often operate normally when reset.

Fortunately, there is a very simple solution to the fast PRUP problem. If the PRUP signal (Pin 3) is slowed down so that the rise time of the signal edge is greater than  $35\ \mu\text{s}$ , the anomalous behavior will not occur. This can be realized by a simple RC circuit connected to the PRUP pin, where  $R = 4.7\ \text{k}\Omega$  and  $C = 1.5\ \text{nF}$ . This circuit is shown in Figure 12.

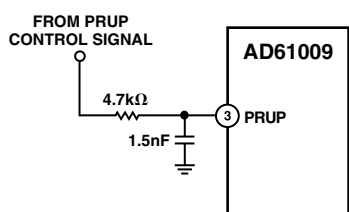


Figure 12. Proper Configuration of AD61009 PRUP Signal

All designs incorporating the AD61009 should include this circuitry.

Note that connecting the PRUP pin to the supply voltage will not eliminate the problem since the supply voltage may have a rise time faster than  $35\ \mu\text{s}$ . With this configuration, the  $4.7\ \text{k}\Omega$  series R and  $1.5\ \text{nF}$  shunt C should be placed between the supply and the PRUP pin as shown in Figure 12.

### AD61009 EVALUATION BOARD

The AD61009 evaluation board (Figures 13 and 14) consists of an AD61009, ground plane, I/O connectors, and a  $10.7\ \text{MHz}$  bandpass filter. The RF and LO ports are terminated in  $50\ \Omega$  to provide a broadband match to external signal generators to allow a choice of RF and LO input frequencies. The IF filter is at  $10.7\ \text{MHz}$  and has  $330\ \Omega$  input and output terminations; the board is laid out to allow the user to substitute other filters for other IFs.

The board provides SMA connectors for the RF and LO port inputs, the demodulated I and Q outputs, the manual gain control (MGC) input, the PLL input, and the power-up input. In addition, the IF output is also available at an SMA connector; this may be connected to the PLL input for carrier recovery to realize synchronous AM and FM detection via the I and Q demodulators, respectively. Table III lists the AD61009 Evaluation Board's I/O Connectors and their functions.

# AD61009

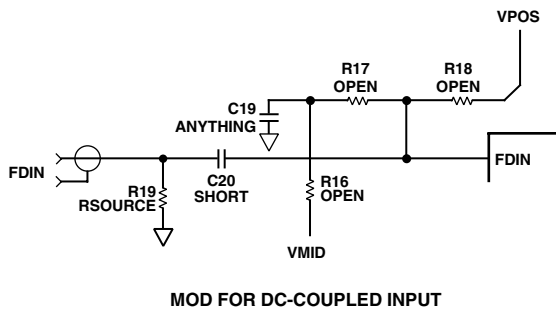
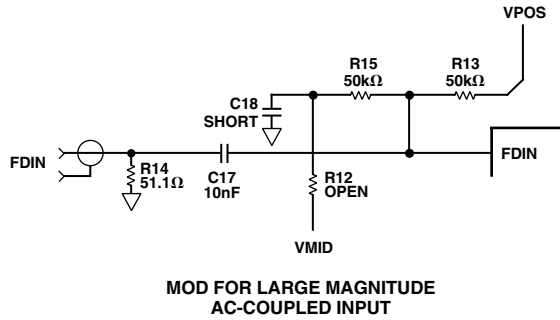
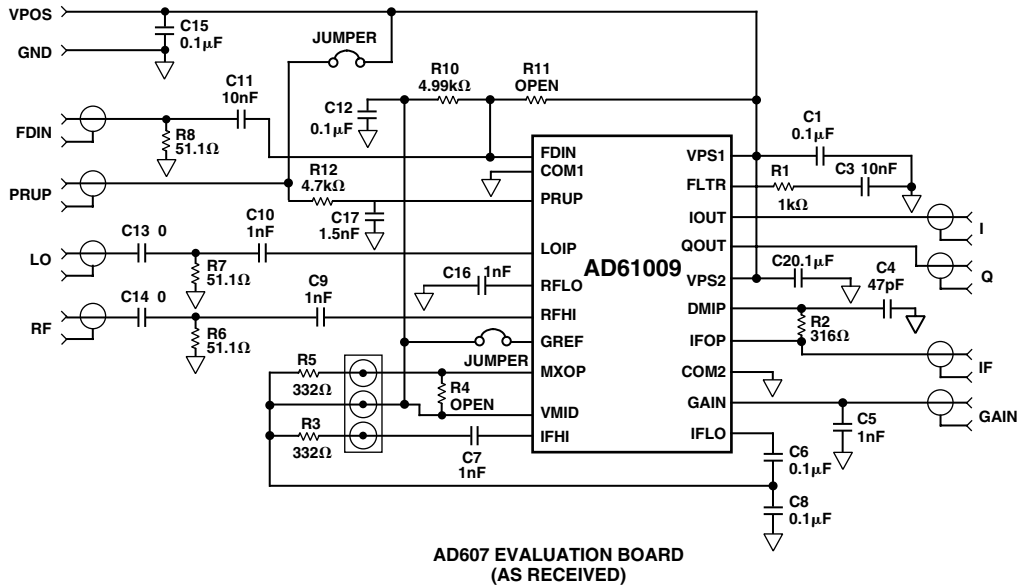
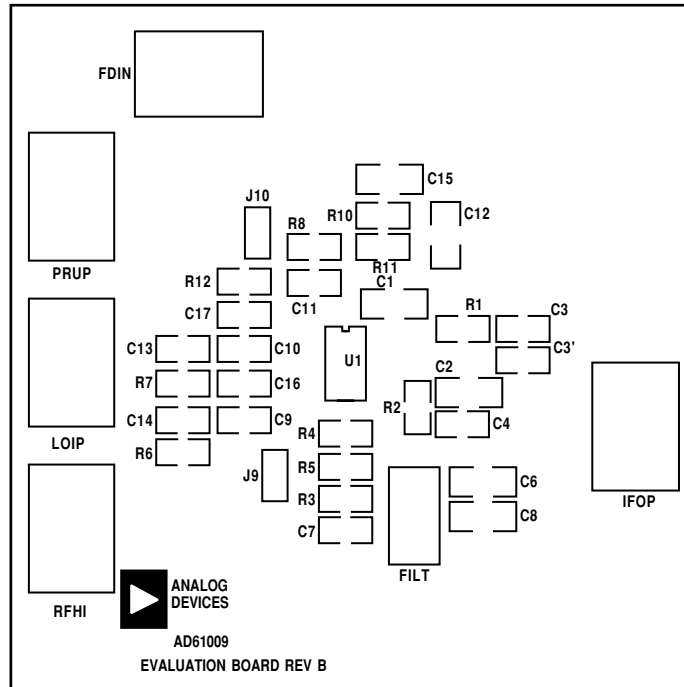
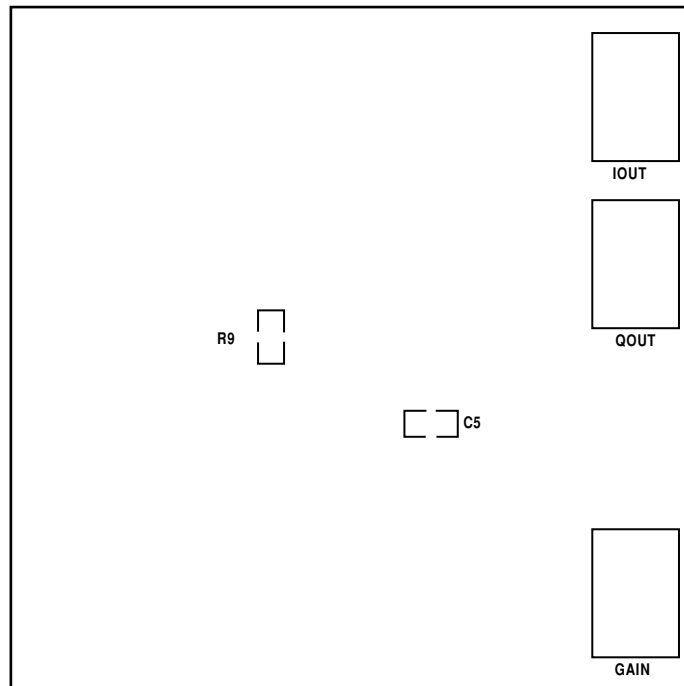


Figure 13. Evaluation Board



a. Topside



b. Bottom Side

Figure 14. Evaluation Board Layout

# AD61009

Table III. AD61009 Evaluation Board Input and Output Connections

| Reference Designation | Connector Type | Description                              | Coupling | Approximate Signal Level                        | Comments  |
|-----------------------|----------------|--|----------|---|---|
| J1                    | SMA            | Frequency Detector Input                 | DC       | $\pm 400$ mV                                    | This pin needs to be biased at VMID and ac coupled when driven by an external signal generator. |
| J2                    | SMA            | Power Up                                 | DC       | CMOS Logic Level Input                          | Tied to Positive Supply by Jumper J10.  |
| J3                    | SMA            | LO Input                                 | AC       | -16 dBm<br>( $\pm 50$ mV)                       | Input is terminated in 50 $\Omega$ .  |
| J4                    | SMA            | RF Input                                 | AC       | -15 dBm max<br>( $\pm 54$ mV)                   | Input is terminated in 50 $\Omega$ .  |
| J5                    | SMA            | MGC Input                                | DC       | 0.4 V to 2.0 V<br>(3 V Supply)<br>(GREF = VMID) | Jumper is set for Manual Gain Control Input; See Table I for Control Voltage Values.            |
| J6                    | SMA            | IF Output                                | AC       | NA  | This signal level depends on the AD61009's gain setting.  |
| J7                    | SMA            | Q Output                                 | AC       | NA  | This signal level depends on the AD61009's gain setting.  |
| J8                    | SMA            | I Output                                 | AC       | NA  | This signal level depends on the AD61009's gain setting.  |
| J9                    | Jumper         | Ties GREF to VMID                        | NA       | NA  | Sets gain-control Scale Factor (SF);<br>SF = 75/VMID in dB/V, where<br>VMID = VPOS/2.           |
| J10                   | Jumper         | Ties Power-Up to Positive Supply         | NA       | NA  | Remove to test Power-Up/-Down.  |
| T1                    | Terminal Pin   | Power Supply Positive Input (VPS1, VPS2) | DC       | DC  | 2.85 V to 5.5 V<br>Draws 8.5 mA at midgain connection.  |
| T2                    | Terminal Pin   | Power Supply Return (GND)                | DC       | 0 V   |   |

In operation (Figure 15), the AD61009 evaluation board draws about 8.5 mA at midgain (59 dB). Use high impedance probes to monitor signals from the demodulated I and Q outputs and the IF output. The MGC voltage should be set such that the signal level at DMIP does not exceed  $\pm 150$  mV; signal levels

above this will overload the I and Q demodulators. The insertion loss between IFOP and DMIP is typically 3 dB if a simple low-pass filter (R8 and C2) is used and higher if a reverse-terminated bandpass filter is used.

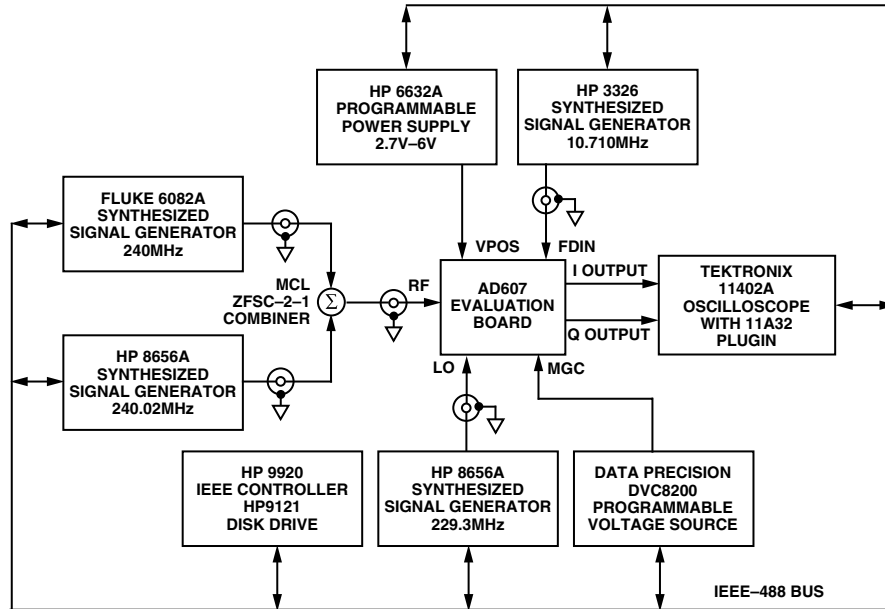


Figure 15. Evaluation Board Test Setup

## OUTLINE DIMENSIONS

Dimensions shown in inches and (mm).

### 20-Lead Plastic SSOP (RS-20)

