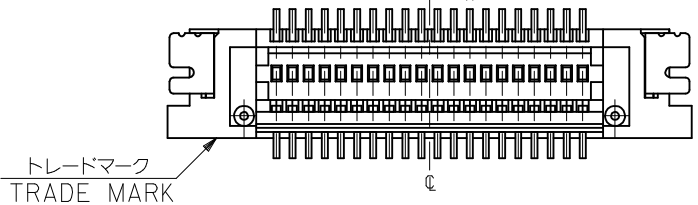
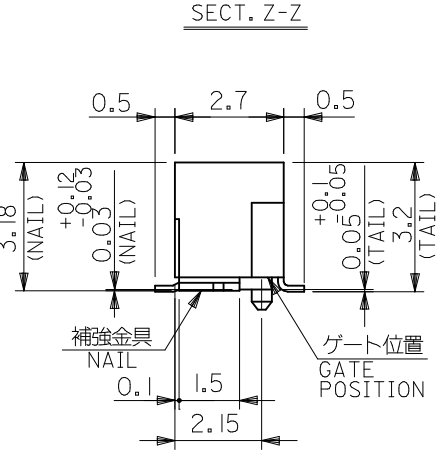
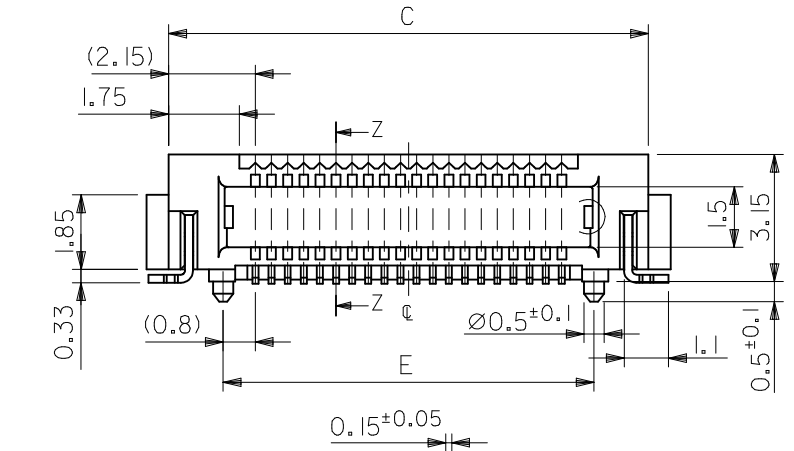


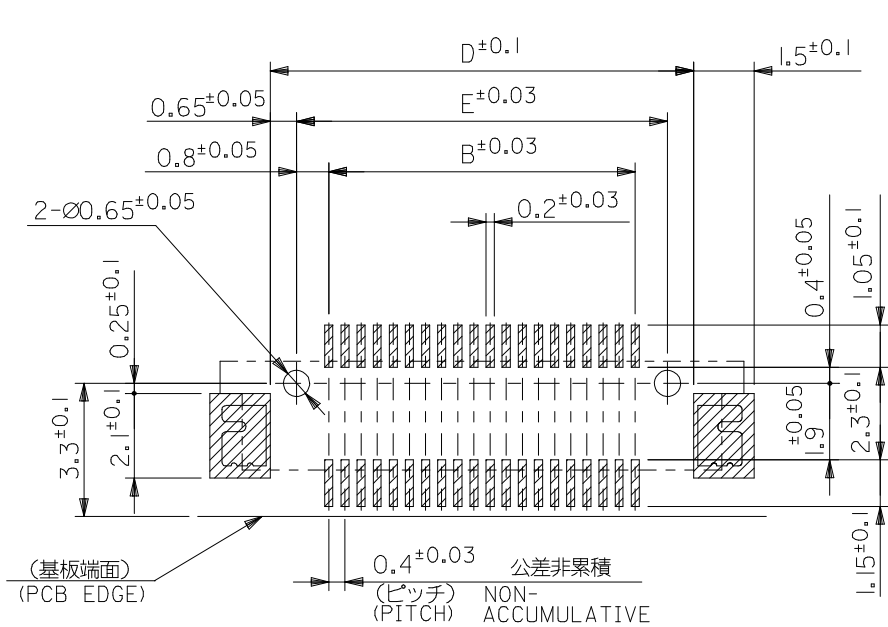
注記 NOTES

1. 使用材料 MATERIAL
 ウエハー: 液晶ポリマー ガラス充填 UL94V-0 茶色
 WAFER: LIQUID CRYSTAL POLYMER, GLASS FILLED, UL94V-0, COLOR BROWN
 ピン: リン青銅 (t=0.15)
 PIN: PHOSPHOR BRONZE (t=0.15)
 補強金具: リン青銅 (t=0.2)
 FITTING NAIL: PHOSPHOR BRONZE (t=0.2)
2. メッキ仕様 PLATING
 ピン PIN
 金メッキ (コンタクト部とテール部)
 GOLD PLATING (CONTACT AND TAIL AREA)
 下地メッキ: ニッケルメッキ
 UNDER PLATING: NICKEL
 補強金具 FITTING NAIL
 錫メッキ
 TIN PLATING
 下地メッキ: ニッケルメッキ
 UNDER PLATING: NICKEL
3. テール部に適用。
 APPLY TO THE TAIL AREA.
4. 嵌合相手: 5452 シリーズ
 MATE WITH: 5452 SERIES.
5. テール平坦度は、0.08 以下
 テール及び金具の平坦度は、0.1 以下
 TAIL COPLANARITY TO BE 0.08 MAXIMUM
 TAIL AND FITTING NAIL COPLANARITY TO BE 0.1 MAXIMUM
6. 本製品は 55394-***7 の鉛フリー品である。
 THIS PRODUCT IS LEAD FREE OF 55394-***7.

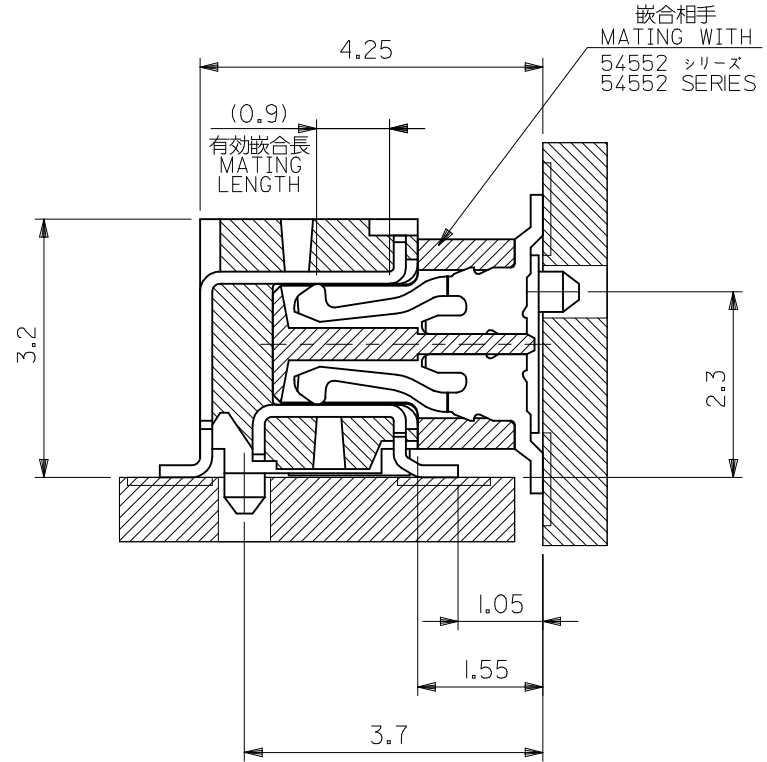


23.2	24.5	25.9	21.6	27	55394-1177	110
19.2	20.5	21.9	17.6	23	55394-0977	90
9.2	10.5	11.9	7.6	13	55394-0477	40
7.2	8.5	9.9	5.6	11	55394-0377	30
E	D	C	B	A	MATERIAL NO.	CIRCUITS

REVISED EC NO: J2010-0433 DRWN: TOSHIMA 2009/09/11 CHKD: SMARUYAMA 2009/09/11 APPR: MSASAO 2009/09/11	GENERAL TOLERANCES (UNLESS SPECIFIED)		DIMENSION STYLE MM ONLY	SCALE ---	MODEL NO. 55394-***77
	10 UNDER	±0.2	DRAWN BY M. NABEI	DATE '05/01/13	TITLE 0.4 B/B CONN. PLUG ASSY (RA) WITH NAIL -LEAD FREE-
	10 OVER 30 UNDER	±0.25	CHECKED BY KTOJO	DATE '05/01/13	MOLEX INCORPORATED
	30 OVER	±0.3	APPROVED BY N. UKITA	DATE '05/01/13	
DESCRIPTION	ANGULAR ±3 °	DRAFT WHERE APPLICABLE MUST REMAIN WITHIN DIMENSIONS	MATERIAL NO. SEE CHART	DOCUMENT NO. SD-55394-017	SHEET NO. 1 OF 2
REV	THIS DRAWING CONTAINS INFORMATION THAT IS PROPRIETARY TO MOLEX INCORPORATED AND SHOULD NOT BE USED WITHOUT WRITTEN PERMISSION				

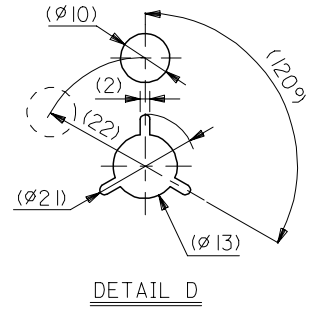
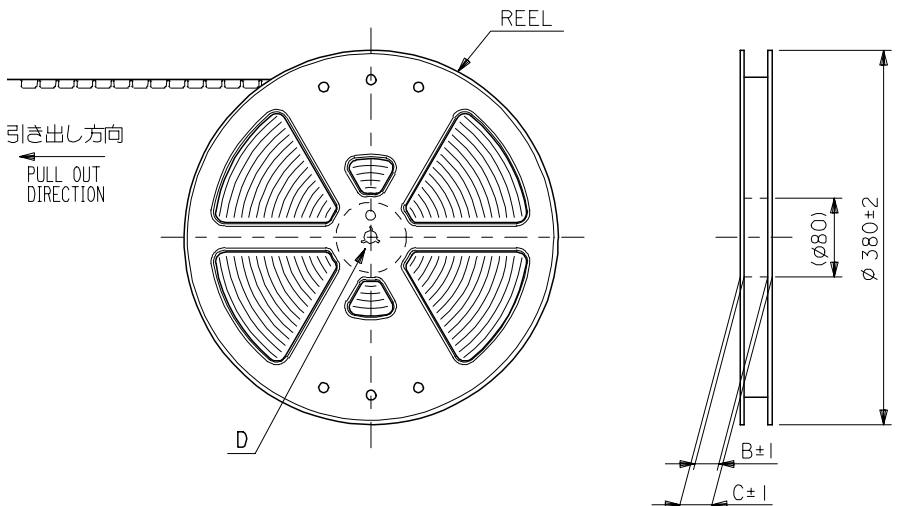


参考基板レイアウト (マウント面)
RECOMMENDED P.C.BOARD
PATTERN DIMENSION (REFERENCE)
(MOUNTING AREA)



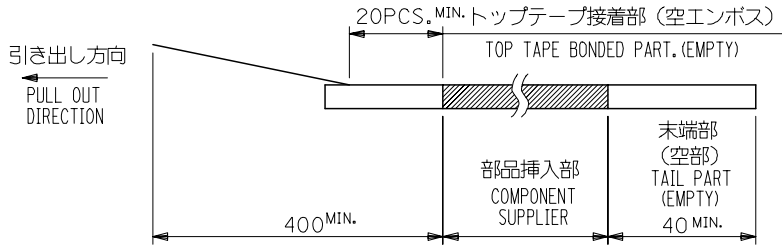
嵌合断面図 (参考)
MATED DRAWING (REFERENCE)

REVISED EC NO: J2010-0433 DRWN:TOSHIMA 2009/09/11 CHKD:SMARUYAMA 2009/09/11 APPR:MSASAO 2009/09/11	GENERAL TOLERANCES (UNLESS SPECIFIED)		DIMENSION STYLE MM ONLY	SCALE ---	55394-**-77	MODEL NO.
	10 UNDER	±0.2	DRAWN BY M.NABEI	DATE '05/01/13	DESIGN UNITS METRIC	THIRD ANGLE PROJECTION
	10 OVER 30 UNDER	±0.25	CHECKED BY K.TOJO	DATE '05/01/13	0.4 B/B CONN PLUG ASSY (RA) WITH NAIL -LEAD FREE- MOLEX INCORPORATED	
	30 OVER	±0.3	APPROVED BY N.UKITA	DATE '05/01/13		
DESCRIPTION	ANGULAR ±3 °	DRAFT WHERE APPLICABLE MUST REMAIN WITHIN DIMENSIONS	MATERIAL NO. SEE CHART	DOCUMENT NO. SD-55394-017	SHEET NO. 2 OF 2	
REV	SIZE A3		THIS DRAWING CONTAINS INFORMATION THAT IS PROPRIETARY TO MOLEX INCORPORATED AND SHOULD NOT BE USED WITHOUT WRITTEN PERMISSION			

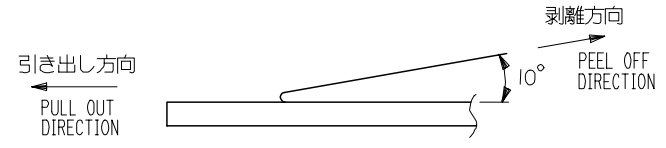


NOTES

- 製品詳細寸法についてはSD-55394-017を参照ください。
RE DETAILED DIMENSION, SEE SD-55394-017.
- 梱包数量：1500個/リール
NUMBER OF CONNECTORS : 1500PCS/REEL
- リードテープ長さ LEAD TAPE LENGTH



- トップテープの剥離強度：0.1～1.3N (10～130gf)
(剥離方向は下図参照)
尚、本規格値は出荷時に適用。(但し、輸送時に剥離が発生しないこと。)
PEELING OFF FORCE OF TOP TAPE : 0.1～1.3N (10～130gf)
(PEELING DIRECTION AS SHOWN IN FOLLOWING FIG.)
THIS REQUIREMENT SHOULD BE APPLIED AT SHIPMENT.
PEEL OFF SHOULD NOT BE ALLOWED , DURING TRANSPORTATION.

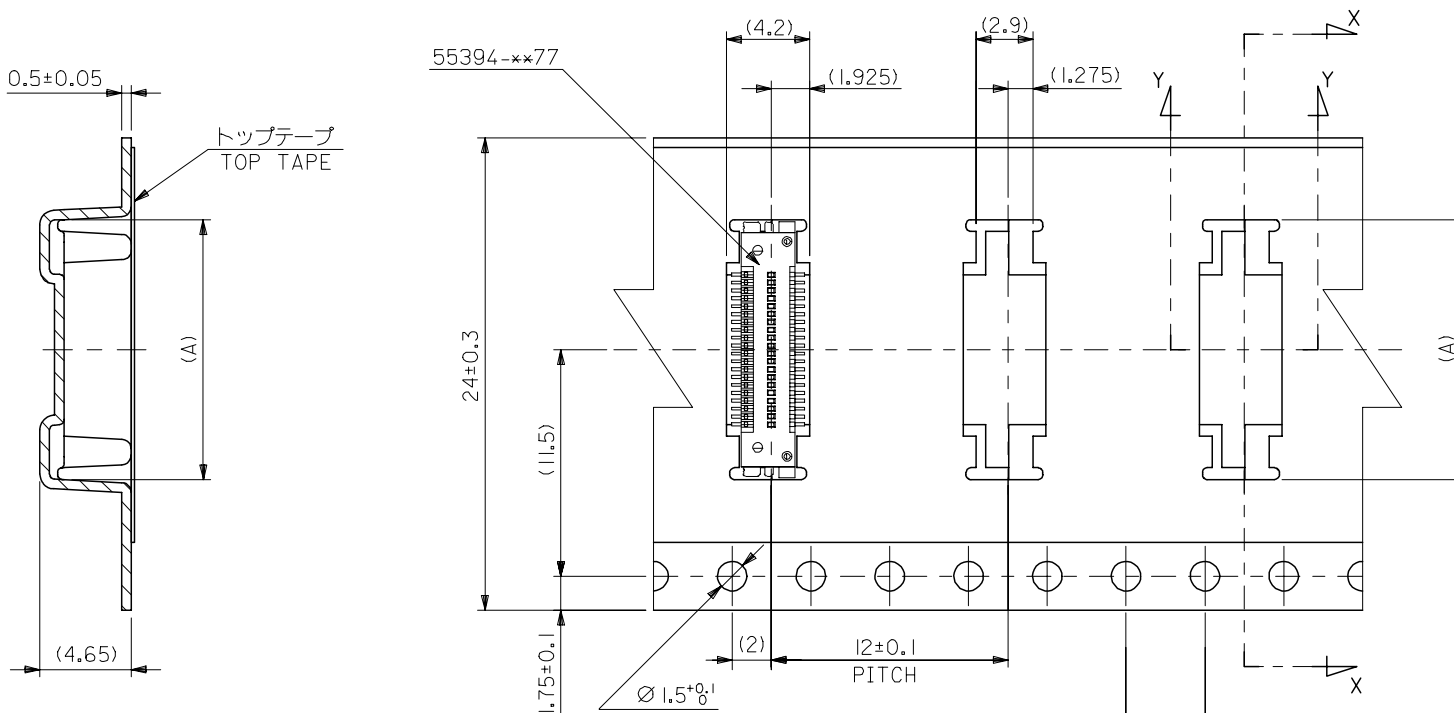


- 材料 (MATERIAL)
キャリアテープ (CARRIER TAPE) : ポリプロピレン (POLYPROPYLENE)
トップテープ (TOPTAPE) : PET, PE, PEF
リール (REEL) : ポリスチレン (PS) (リサイクル材を含む)
POLYSTYRENE(PS) <RECYCLE MATERIAL CONTAINED>

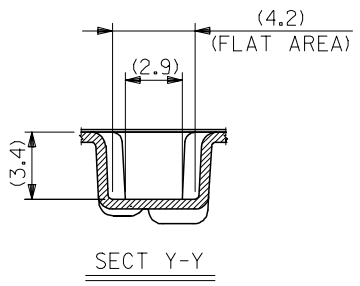
- 本製品は 55394-***8 の鉛フリー品である。
THIS PRODUCT IS LEAD FREE OF 55394-***8.

55394-1178	110
55394-0978	90
55394-0478	40
55394-0378	30
MATERIAL NO.	極数 CIRCUITS

REVISED EC NO: J2007-0870 DRW: HVAJIMA 2006/10/03 CHK: KASAHARA 2006/10/04 APP: NUKITA 2006/10/05	GENERAL TOLERANCES (UNLESS SPECIFIED)		DIMENSION STYLE MM ONLY		SCALE ---	DESIGN UNITS METRIC	THIRD ANGLE PROJECTION	
	10 UNDER	± 0.2	DRAWN BY M. NABEI	DATE '05/01/13	TITLE EMBSTP PKG FOR 0.4 B/B CONN. RA PLUG NAIL ASSY -LEAD FREE-			
	10 OVER 30 UNDER	± 0.25	CHECKED BY K. TOJO	DATE '05/01/13	MOLEX INCORPORATED			
	30 OVER	± 0.3	APPROVED BY N. UKITA	DATE '05/01/13	MATERIAL NO. SEE CHART		DOCUMENT NO. SD-55394-018	SHEET NO. 1 OF 3
	ANGULAR	± 3 °	DRAFT WHERE APPLICABLE MUST REMAIN WITHIN DIMENSIONS					



SECT X-X



SECT Y-Y

24mm幅キャリアテープ
24mm WIDTH CARRIER TAPE

24	29.4	25.4	13.2	55394-0478	40
			11.2	55394-0378	30
キャリアテープ幅 CARRIER TAPE WIDTH	C	B	(A)	MATERIAL NO.	極数 CIRCUITS

REVISED EC NO: J2007-0870 DRW:HYAJIMA 2006/10/03 CHKD:KASAHARA 2006/10/04 APPR:NUKITA 2006/10/05	GENERAL TOLERANCES (UNLESS SPECIFIED)		DIMENSION STYLE MM ONLY		SCALE ---	MODEL NO. DESIGN UNITS METRIC	55394-***78	THIRD ANGLE PROJECTION
	10 UNDER	±0.2	DRAWN BY M.NABEI	DATE '05/01/13	TITLE EMBSTP PKG FOR 0.4 B/B CONN RA PLUG NAIL ASSY -LEAD FREE-			
	10 OVER 30 UNDER	±0.25	CHECKED BY K.TOJO	DATE '05/01/13	MOLEX INCORPORATED			
	30 OVER	±0.3	APPROVED BY N.UKITA	DATE '05/01/13	MATERIAL NO. SEE CHART	DOCUMENT NO. SD-55394-018	SHEET NO. 2 OF 3	
A	DRAFT WHERE APPLICABLE MUST REMAIN WITHIN DIMENSIONS		SIZE A3		THIS DRAWING CONTAINS INFORMATION THAT IS PROPRIETARY TO MOLEX INCORPORATED AND SHOULD NOT BE USED WITHOUT WRITTEN PERMISSION			

10 9 8 7 6 5 4 3 2 1

F

E

D

C

B

A

F

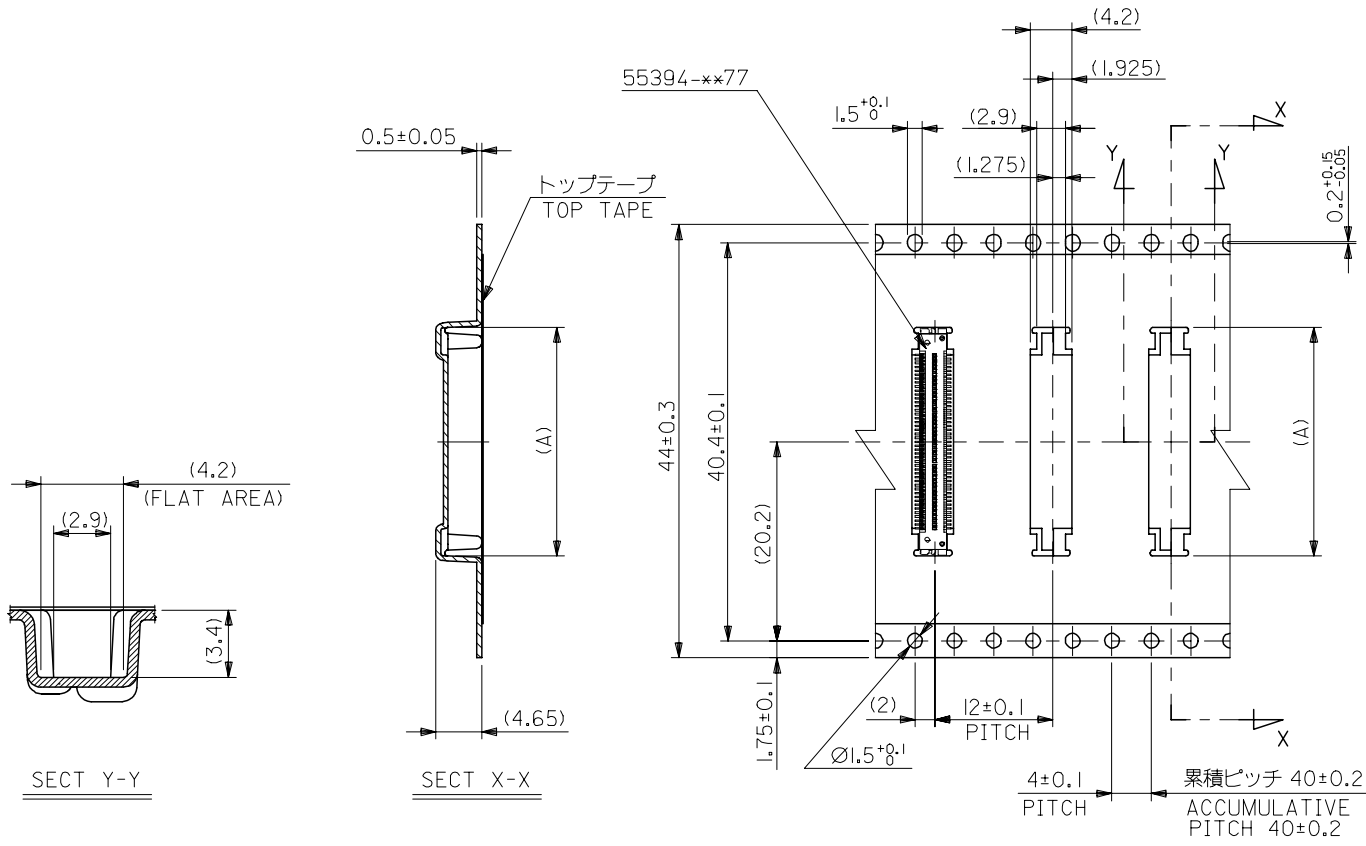
E

D

C

B

A



SECT Y-Y

SECT X-X

引き出し方向
PULL OUT DIRECTION

44mm幅キャリアテープ
44mm WIDTH CARRIER TAPE

44	49.4	45.4	27.2 23.2	55394-1178 55394-0978	110 90
キャリアテープ幅 CARRIER TAPE WIDTH	C	B	(A)	MATERIAL No.	極数 CIRCUITS

MODEL NO. 55394-xx78

REVISED EC NO: J2007-0870 DRW: HVAJIMA 2006/10/03 CHK: DKASAHARA 2006/10/04 APPR: NUKITA 2006/10/05	GENERAL TOLERANCES (UNLESS SPECIFIED)		DIMENSION STYLE MM ONLY		SCALE ---	MODEL NO. DESIGN UNITS METRIC	THIRD ANGLE PROJECTION
	10 UNDER	±0.2	DRAWN BY M. NABEI	DATE '05/01/13	TITLE EMBSTP PKG FOR 0.4 B/B CONN. RA PLUG NAIL ASSY -LEAD FREE-		
	10 OVER 30 UNDER	±0.25	CHECKED BY K. TOJO	DATE '05/01/13	MOLEX INCORPORATED		
	30 OVER	±0.3	APPROVED BY N. UKITA	DATE '05/01/13	MATERIAL NO. SEE CHART	DOCUMENT NO. SD-55394-018	SHEET NO. 3 OF 3
	ANGULAR	±3 °	DRAFT WHERE APPLICABLE MUST REMAIN WITHIN DIMENSIONS				

9

8

7

6

5

4

3

2