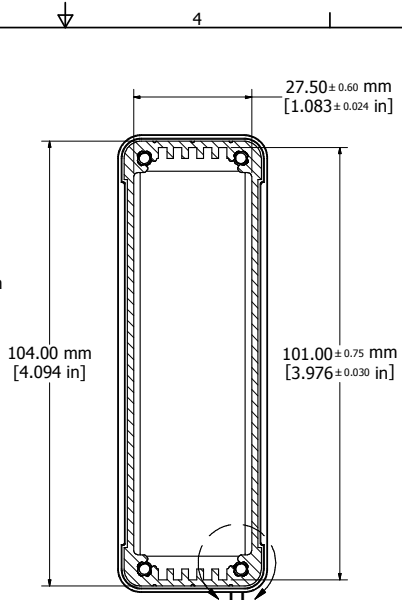
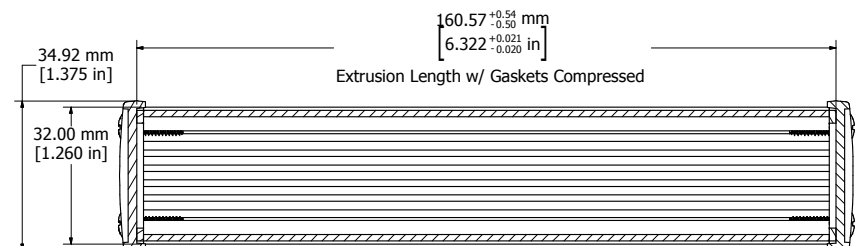
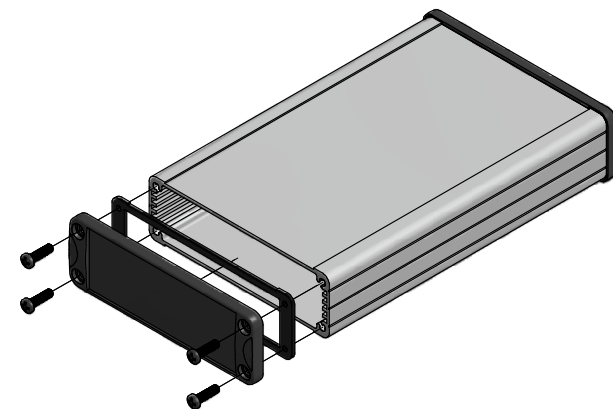


ASSEMBLY - VIEW FROM TOP

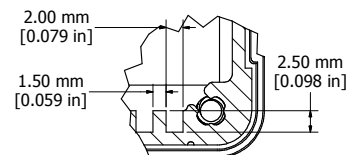


SECTION T-T

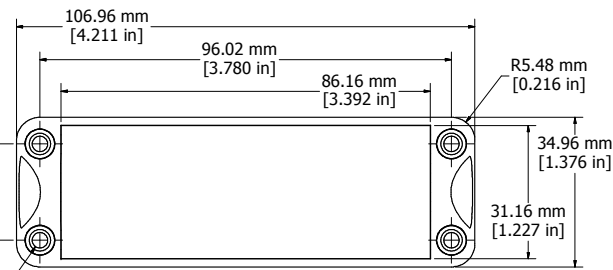


SECTION Y-Y

Fits 160mm (6.299") X 100mm (3.937") PCB



DETAIL U



END PANEL - VIEW FROM OUTSIDE

Ø3.60 mm ± 8.00 mm
 L Ø7.00 mm ± 2.50 mm

PROTECTION TO IP 65

Enclosures can be Factory Modified (Milling, Drilling, Printing etc.)
 Contact Factory mjm@hammondmfg.com for quotes
 Solid models of this enclosure available in STEP or IGES.

| NOTE | |
|---|--------------|
| Purchased assembly includes box, end panels, #6 Taptight screws w/ O-Rings, self adhesive rubber feet, and gaskets. | |
| Box made from Extruded Aluminum 6063. | |
| End panels made from ADC-12 Diecast Aluminum with a black powder paint finish. | |
| WATERPROOF 1457L1601 | |
| PART NUMBERS | |
| Clear anodized box with black powder painted end panels | 1457L1601 |
| Black powder painted box and end panels | 1457L1601BK |
| EMI/RFI SHIELDED (IP 54) | |
| Clear anodized box with black powder painted end panels | 1457L1601E |
| Black powder painted box and end panels | 1457L1601EBK |
| ACCESSORIES | |
| See website for accessories. | |

HAMMOND MANUFACTURING™

1457L1601

www.hammondmfg.com