

Panasonic

Panasonic

JW1AFSN-DC24V-TV-F

Broj dela:

Proizvođač / robna marka:

Opis proizvoda

Datasheets:

Status RoHs

Stanje zaliha

Ship From

Shipment Way

JW1AFSN-DC24V-TV-F

Panasonic

JW RELAY 1 FORM A 24V 10A

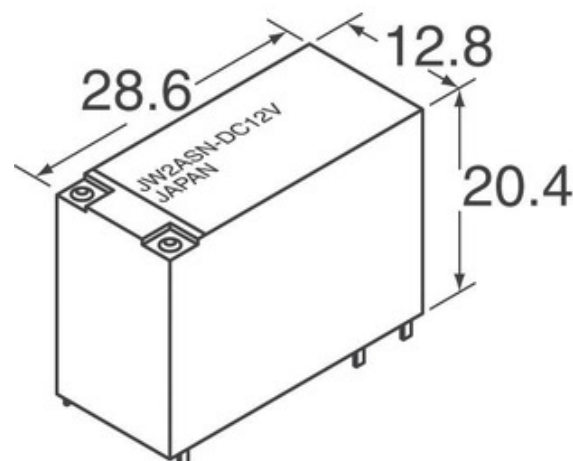
JW1AFSN-DC24V-TV-F.pdf

Bez olova / RoHS Compliant

33848 pcs stock

hong kong

DHL/Fedex/TNT/UPS/EMS



Slika može biti reprezentativna. Pogledajte specifikacije za detalje o proizvodu.

REQUEST FOR QUOTATION

Specifikacije JW1AFSN-DC24V-TV-F

| | |
|----------------------------------|----------------------------|
| BROJ DELA | JW1AFSN-DC24V-TV-F |
| PROIZVOĐAČ | Panasonic |
| OPIS | JW RELAY 1 FORM A 24V 10A |
| STATUS BEZ VODE / ROHS STATUS | Bez olova / RoHS Compliant |
| DOSTUPNA KOLIČINA | 33848 pcs |
| TEHNIČKI LIST | JW1AFSN-DC24V-TV-F.pdf |
| SERIES | * |
| NIVO OSETLJIVOSTI NA VLAGU (MSL) | 1 (Unlimited) |
| STATUS BEZ VODE / ROHS STATUS | Lead free / RoHS Compliant |
| DETALJAN OPIS | Relay Coil |

Povezane oznake

| | | |
|---|--|---|
| Panasonic JW1AFSN-DC24V-TV-F | JW1AFSN-DC24V-TV-F Distributor | JW1AFSN-DC24V-TV-F Supplier |
| JW1AFSN-DC24V-TV-F Cijena | JW1AFSN-DC24V-TV-F Pictures | Slika JW1AFSN-DC24V-TV-F |
| JW1AFSN-DC24V-TV-F PDF Datasheet | JW1AFSN-DC24V-TV-F Preuzimanje Datasheet | JW1AFSN-DC24V-TV-F Datasheet |
| JW1AFSN-DC24V-TV-F Stock | Kupi JW1AFSN-DC24V-TV-F | Kupi Panasonic JW1AFSN-DC24V-TV-F |
| Panasonic JW1AFSN-DC24V-TV-F | Panasonic Supplier | Panasonic Distributor |
| Panasonic JW1AFSN-DC24V-TV-F | Panasonic - Consumer Division JW1AFSN-DC24V-TV-F | Panasonic - Consumer Electronics Corp. JW1AFSN-DC24V-TV-F |
| Panasonic Battery Group JW1AFSN-DC24V-TV-F | Panasonic Electric Works - ACSD JW1AFSN-DC24V-TV-F | Panasonic Electronic Components - Semiconductor Pr JW1AFSN-DC24V-TV-F |
| Panasonic - ATG JW1AFSN-DC24V-TV-F | Panasonic - BSG JW1AFSN-DC24V-TV-F | Panasonic - DTG JW1AFSN-DC24V-TV-F |
| Panasonic Electric Works JW1AFSN-DC24V-TV-F | Panasonic Electronic Components JW1AFSN-DC24V-TV-F | Panasonic Industrial Automation Sales JW1AFSN-DC24V-TV-F |
| Panasonic Semiconductor JW1AFSN-DC24V-TV-F | | |

Srodni proizvodi



JW1AFSN-DC5V

Proizvođači: Panasonic
Opis: RELAY GEN PURPOSE SPST 10A 5V
In stock: 3779 pcs

RFQ



JW1AFSN-DC48V-F

Proizvođači: Panasonic
Opis: RELAY GEN PURPOSE SPST 10A 48V
In stock: 31362 pcs

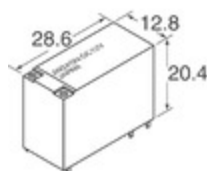
RFQ



JW1AFSN-DC12V-TV-F

Proizvođači: Panasonic
Opis: RELAY GEN PURPOSE SPST 10A 12V
In stock: 34326 pcs

RFQ



JW1AFSN-DC36V-F

Proizvođači: Panasonic
Opis: JW RELAY 1 FORM A 36V 10A
In stock: 38069 pcs

RFQ



JW1AFSN-DC24V-TV

Proizvođači: Panasonic
Opis: RELAY GEN PURPOSE SPST 10A 24V
In stock: 39989 pcs

RFQ



JW1AFSN-DC24V-TUV-F

Proizvođači: Panasonic
Opis: JW RELAY 1 FORM A 24V 10A
In stock: 39266 pcs

RFQ



JW1AFSN-DC48V-TV

Proizvođači: Panasonic
Opis: RELAY GEN PURPOSE SPST 10A 48V
In stock: 40394 pcs

RFQ



JW1AFSN-DC18V

Proizvođači: Panasonic
Opis: RELAY GEN PURPOSE SPST 10A 18V
In stock: 44608 pcs

RFQ



JW1AFSN-DC24V-F

Proizvođači: Panasonic
Opis: RELAY GEN PURPOSE SPST 10A 24V
In stock: 28810 pcs

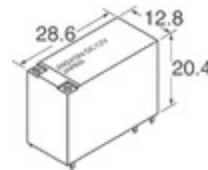
RFQ



JW1AFSN-DC24V

Proizvođači: Panasonic
Opis: RELAY GEN PURPOSE SPST 10A 24V
In stock: 4181 pcs

RFQ



JW1AFSN-DC48V-TV-F

Proizvođači: Panasonic
Opis: JW RELAY 1 FORM A 48V 10A
In stock: 37571 pcs

RFQ



JW1AFSN-DC48V

Proizvođači: Panasonic
Opis: RELAY GEN PURPOSE SPST 10A 48V
In stock: 40277 pcs

RFQ