

Omron

G5LA-1-E-CF DC12

Broj dela:

G5LA-1-E-CF DC12

Proizvođač / robna marka:

Omron

Opis proizvoda

RELAY GEN PURPOSE SPDT 5A 12V

Datasheets:

G5LA-1-E-CF DC12.pdf

Status RoHS

Bez olova / RoHS Compliant

Stanje zaliha

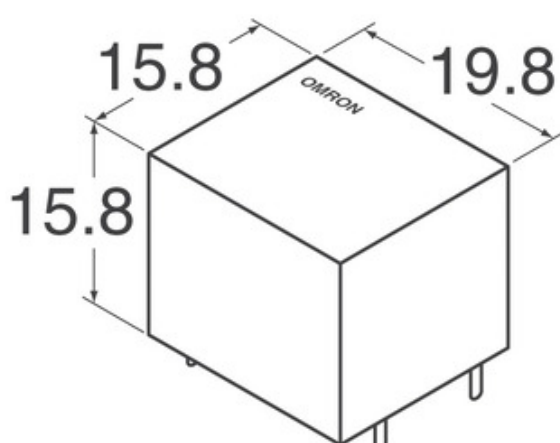
4908 pcs stock

Ship From

hong kong

Shipment Way

DHL/Fedex/TNT/UPS/EMS

[REQUEST FOR QUOTATION](#)


Slika može biti reprezentativna. Pogledajte specifikacije za detalje o proizvodu.

Specifikacije G5LA-1-E-CF DC12

BROJ DELA	G5LA-1-E-CF DC12
PROIZVOĐAČ	Omron
OPIS	RELAY GEN PURPOSE SPDT 5A 12V
STATUS BEZ VODE / ROHS STATUS	Bez olova / RoHS Compliant
DOSTUPNA KOLIČINA	4908 pcs
TEHNIČKI LIST	G5LA-1-E-CF DC12.pdf
UKLJUČITE NAPON (MAKS.)	9 VDC
ISKLUJUĆI NAPON (MIN)	1.2 VDC
TERMINATION STYLE	PC Pin
PREKLOPNI NAPON	250VAC, 24VDC - Max
SERIES	G5LA
VREME IZDAVANJA	5ms
RELAY TYPE	General Purpose
PAKOVANJE	Tray
DRUGE NAZIVE	G5LA-1-E-CF DC12-ND G5LA-1-E-CFDC12 G5LA1ECFDC12
RADNA TEMPERATURA	-40°C ~ 85°C
RADITI VREME	10ms
TIP MONTAŽE	Through Hole
NIVO OSETLJIVOSTI NA VLAGU (MSL)	1 (Unlimited)
STATUS BEZ VODE / ROHS STATUS	Lead free / RoHS Compliant
KARAKTERISTIKE	Insulation - Class F, Sealed - Flux Protection
DETALJAN OPIS	General Purpose Relay SPDT (1 Form C) 12VDC Coil Through Hole
OCENA KONTAKTA (TRENUTNA)	5A
KONTAKTNI MATERIJAL	Silver Tin Oxide (AgSnO)
KONTAKT FORMULAR	SPDT (1 Form C)
VOLTAŽA KALEMA	12VDC
TYPE COIL	Non Latching
OTPOR KOU	400 Ohms
POWER COIL	360 mW
CURRENT COIL	30.0mA

Povezane oznake

Omron G5LA-1-E-CF DC12	G5LA-1-E-CF DC12 Distributor	G5LA-1-E-CF DC12 Supplier
G5LA-1-E-CF DC12 Cijena	G5LA-1-E-CF DC12 Pictures	Slika G5LA-1-E-CF DC12
G5LA-1-E-CF DC12 PDF Datasheet	G5LA-1-E-CF DC12 Preuzimanje Datasheet	G5LA-1-E-CF DC12 Datasheet
G5LA-1-E-CF DC12 Stock	Kupi G5LA-1-E-CF DC12	Kupi Omron G5LA-1-E-CF DC12
Omron G5LA-1-E-CF DC12	Omron Supplier	Omron Distributor
Omron G5LA-1-E-CF DC12	Omron Electronics Inc-IA Div G5LA-1-E-CF DC12	Omron Electronics Inc-EMC Div G5LA-1-E-CF DC12
Omron Electronics LLC G5LA-1-E-CF DC12		

Srodni proizvodi

<p>G5LA-1-E DC5 Proizvođači: Omron Opis: RELAY GENERAL PURPOSE SPDT 5A 5V In stock: 4489 pcs</p> <p>RFQ</p>	<p>G5LA-1-E DC24 Proizvođači: Omron Opis: RELAY GEN PURPOSE SPDT 5A 24V In stock: 5853 pcs</p> <p>RFQ</p>
<p>G5LA-1-E DC48 Proizvođači: Omron Opis: RELAY GEN PURPOSE SPDT 5A 48V In stock: 4809 pcs</p> <p>RFQ</p>	<p>G5LA-1-E-CF DC24 Proizvođači: Omron Opis: RELAY GEN PURPOSE SPDT 5A 24V In stock: 3408 pcs</p> <p>RFQ</p>
<p>G5LA-1-E-CF DC48 Proizvođači: Omron Opis: RELAY GEN PURPOSE SPDT 5A 48V In stock: 6790 pcs</p> <p>RFQ</p>	<p>G5LA-1-E DC9 Proizvođači: Omron Opis: RELAY GENERAL PURPOSE SPDT 5A 9V In stock: 4627 pcs</p> <p>RFQ</p>
<p>G5LA-1-E-CF DC9 Proizvođači: Omron Opis: RELAY GENERAL PURPOSE SPDT 5A 9V In stock: 6382 pcs</p> <p>RFQ</p>	<p>G5LA-1-E-CF-SP DC12 Proizvođači: Omron Opis: RELAY GEN PURPOSE SPDT 5A 12V In stock: 3815 pcs</p> <p>RFQ</p>
<p>G5LA-1-CF DC9 Proizvođači: Omron Opis: RELAY GENERAL PURPOSE SPDT 5A 9V In stock: 6161 pcs</p> <p>RFQ</p>	<p>G5LA-1-E DC12 Proizvođači: Omron Opis: RELAY GEN PURPOSE SPDT 5A 12V In stock: 3958 pcs</p> <p>RFQ</p>
<p>G5LA-1-HA DC12 Proizvođači: Omron Opis: RELAY GEN PURPOSE SPDT 5A 12V In stock: 3655 pcs</p> <p>RFQ</p>	<p>G5LA-1-E-CF DC5 Proizvođači: Omron Opis: RELAY GENERAL PURPOSE SPDT 5A 5V In stock: 6224 pcs</p> <p>RFQ</p>