

Panasonic

Panasonic

HC2E-H-AC12V-F

Broj dela:

HC2E-H-AC12V-F

Proizvođač / robna marka:

Panasonic

Opis proizvoda

HC RELAY 2 FORM C 120VAC

Datasheets:

[HC2E-H-AC12V-F.pdf](#)

Status RoHS

Bez olova / RoHS Compliant

Stanje zaliha

6696 pcs stock

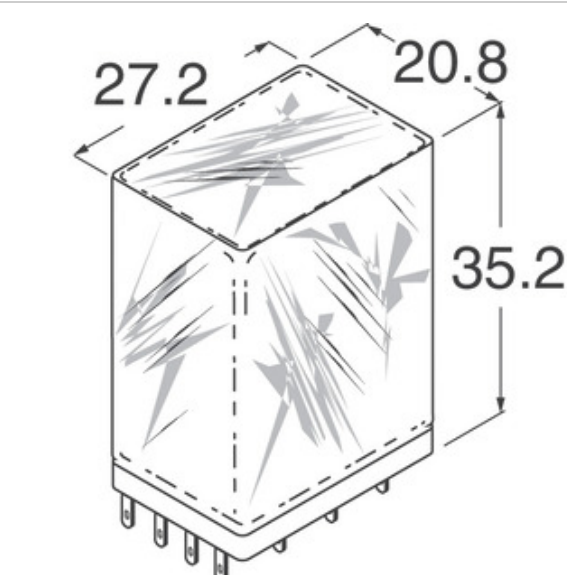
Ship From

hong kong

Shipment Way

DHL/Fedex/TNT/UPS/EMS

REQUEST FOR QUOTATION



Slika može biti reprezentativna. Pogledajte specifikacije za detalje o proizvodu.

Specifikacije HC2E-H-AC12V-F

| | |
|----------------------------------|------------------------------------|
| BROJ DELA | HC2E-H-AC12V-F |
| PROIZVOĐAČ | Panasonic |
| OPIS | HC RELAY 2 FORM C 120VAC |
| STATUS BEZ VODE / ROHS STATUS | Bez olova / RoHS Compliant |
| DOSTUPNA KOLIČINA | 6696 pcs |
| TEHNIČKI LIST | HC2E-H-AC12V-F.pdf |
| SERIES | * |
| NIVO OSETLJIVOSTI NA VLAGU (MSL) | 1 (Unlimited) |
| STATUS BEZ VODE / ROHS STATUS | Lead free / RoHS Compliant |
| DETALJAN OPIS | Relay Coil |

Povezane oznake

| | | |
|---|--|---|
| Panasonic HC2E-H-AC12V-F | HC2E-H-AC12V-F Distributor | HC2E-H-AC12V-F Supplier |
| HC2E-H-AC12V-F Cijena | HC2E-H-AC12V-F Pictures | Slika HC2E-H-AC12V-F |
| HC2E-H-AC12V-F PDF Datasheet | HC2E-H-AC12V-F Preuzimanje Datasheet | HC2E-H-AC12V-F Datasheet |
| HC2E-H-AC12V-F Stock | Kupi HC2E-H-AC12V-F | Kupi Panasonic HC2E-H-AC12V-F |
| Panasonic HC2E-H-AC12V-F | Panasonic Supplier | Panasonic Distributor |
| Panasonic HC2E-H-AC12V-F | Panasonic - Consumer Division HC2E-H-AC12V-F | Panasonic - Consumer Electronics Corp. HC2E-H-AC12V-F |
| Panasonic Battery Group HC2E-H-AC12V-F | Panasonic Electric Works - ACSD HC2E-H-AC12V-F | Panasonic Electronic Components - Semiconductor Pr HC2E-H-AC12V-F |
| Panasonic - ATG HC2E-H-AC12V-F | Panasonic - BSG HC2E-H-AC12V-F | Panasonic - DTG HC2E-H-AC12V-F |
| Panasonic Electric Works HC2E-H-AC12V-F | Panasonic Electronic Components HC2E-H-AC12V-F | Panasonic Industrial Automation Sales HC2E-H-AC12V-F |
| Panasonic Semiconductor HC2E-H-AC12V-F | | |

Srodni proizvodi



HC2E-H-AC240V

Proizvođači: Panasonic
Opis: RELAY GEN PURPOSE DPDT 3A 240V
In stock: 3021 pcs

RFQ



HC2E-H-AC48V

Proizvođači: Panasonic
Opis: RELAY GEN PURPOSE DPDT 3A 48V
In stock: 4261 pcs

RFQ



HC2E-H-AC115V

Proizvođači: Panasonic
Opis: RELAY GEN PURPOSE DPDT 3A 115V
In stock: 6776 pcs

RFQ



HC2BL6

Proizvođači: Panduit
Opis: DUCT COVER PVC HINGED BLACK 6'
In stock: 6990 pcs

RFQ



HC2E-H-AC240V-F

Proizvođači: Panasonic
Opis: HC RELAY 2 FORM C 240VAC
In stock: 7594 pcs

RFQ



HC2E-H-AC24V

Proizvođači: Panasonic
Opis: RELAY GEN PURPOSE DPDT 3A 24V
In stock: 2726 pcs

RFQ

Panasonic

HC2E-H-AC100V-F

Proizvođači: Panasonic
Opis: RELAY GEN PURP DPDT 100VAC
In stock: 4872 pcs

RFQ



HC2E-H-AC12V

Proizvođači: Panasonic
Opis: RELAY GEN PURPOSE DPDT 3A 12V
In stock: 3057 pcs

RFQ



HC2E-H-AC120V-F

Proizvođači: Panasonic
Opis: HC RELAY 2 FORM C 120VAC
In stock: 6440 pcs

RFQ



HC2E-H-AC24V-F

Proizvođači: Panasonic
Opis: HC RELAY 2 FORM C 24VAC
In stock: 6725 pcs

RFQ



HC2E-H-AC115V-VDE

Proizvođači: Panasonic
Opis: RELAY GEN PURPOSE DPDT 3A 115V
In stock: 3425 pcs

RFQ

Panasonic

HC2E-H-AC200V-F

Proizvođači: Panasonic
Opis: RELAY GEN PURP DPDT 200VAC
In stock: 4515 pcs

RFQ