



Coto Technology

## 7301-05-1000

Broj dela:

7301-05-1000

Proizvođač / robna marka:

Coto Technology

Opis proizvoda

RELAY REED SPST 500MA 5V

Datasheets:

7301-05-1000.pdf

Status RoHS

Bez olova / RoHS Compliant

Stanje zaliha

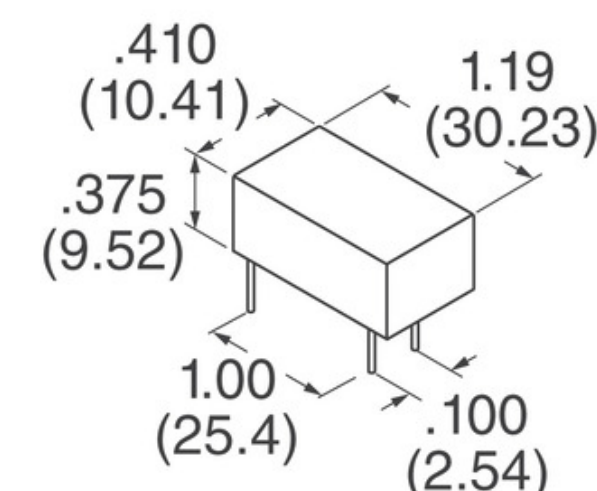
5984 pcs stock

Ship From

hong kong

Shipment Way

DHL/Fedex/TNT/UPS/EMS



Slika može biti reprezentativna. Pogledajte specifikacije za detalje o proizvodu.

## Specifikacije 7301-05-1000

BROJ DELA	7301-05-1000
PROIZVOĐAČ	Coto Technology
OPIS	RELAY REED SPST 500MA 5V
STATUS BEZ VODE / ROHS STATUS	Bez olova / RoHS Compliant
DOSTUPNA KOLIČINA	5984 pcs
TEHNIČKI LIST	7301-05-1000.pdf
UKLJUČITE NAPON (MAKS.)	3.75 VDC
ISKLUJUČI NAPON (MIN)	0.4 VDC
TERMINATION STYLE	PC Pin
PREKLOPNI NAPON	500VAC, 500VDC - Max
SERIES	7000
VREME IZDAVANJA	0.1ms
PAKOVANJE	Tube
DRUGE NAZIVE	306-1402 7301-05-1000-ND
RADNA TEMPERATURA	-20°C ~ 85°C
RADITI VREME	1ms
TIP MONTAŽE	Through Hole
NIVO OSETLJIVOSTI NA VLAGU (MSL)	1 (Unlimited)
STATUS BEZ VODE / ROHS STATUS	Lead free / RoHS Compliant
KARAKTERISTIKE	-
OCENA KONTAKTA (TRENUTNA)	500mA
KONTAKTNI MATERIJAL	-
KONTAKT FORMULAR	SPST-NO (1 Form A)
VOLTAŽA KALEMA	5VDC
TYPE COIL	Non Latching
OTPOR KOU	175 Ohms
POWER COIL	-
CURRENT COIL	28.6mA

## Povezane oznake

Coto Technology 7301-05-1000	7301-05-1000 Distributor	7301-05-1000 Supplier
7301-05-1000 Cijena	7301-05-1000 Pictures	Slika 7301-05-1000
7301-05-1000 PDF Datasheet	7301-05-1000 Preuzimanje Datasheet	7301-05-1000 Datasheet
7301-05-1000 Stock	Kupi 7301-05-1000	Kupi Coto Technology 7301-05-1000
Coto Technology 7301-05-1000	Coto Technology Supplier	Coto Technology Distributor
Coto Technology 7301-05-1000		

## Srodni proizvodi

<p><b>7301-12-1000</b> Proizvođači: Coto Technology Opis: RELAY REED SPST 500MA 12V In stock: 8143 pcs </p>	<p><b>73009W 0081000</b> Proizvođači: Belden Opis: CBL 9COND 20AWG In stock: 100 pcs </p>
<p><b>7301-05-1010</b> Proizvođači: Coto Technology Opis: RELAY REED SPST 500MA 5V In stock: 8869 pcs </p>	<p><b>73008 BLU 1"X150'</b> Proizvođači: 3M Opis: SCOTCHCAL STRIPING TAPE In stock: 1118 pcs </p>
<p><b>73009W 008100</b> Proizvođači: Belden Opis: CBL 9COND 20AWG In stock: 569 pcs </p>	<p><b>7301-05-1001</b> Proizvođači: Coto Technology Opis: RELAY REED SPST 500MA 5V In stock: 7419 pcs </p>
<p><b>73009W 008500</b> Proizvođači: Belden Opis: CBL 9COND 20AWG In stock: 154 pcs </p>	<p><b>7301-05-1011</b> Proizvođači: Coto Technology Opis: RELAY REED SPST 500MA 5V In stock: 7162 pcs </p>
<p><b>7301-05-1110</b> Proizvođači: Coto Technology Opis: RELAY REED SPST 500MA 5V In stock: 5430 pcs </p>	<p><b>73009 DRK BLU 1"X150'</b> Proizvođači: 3M Opis: SCOTCHCAL STRIPING TAPE In stock: 1125 pcs </p>
<p><b>7301-05-1100</b> Proizvođači: Coto Technology Opis: RELAY REED SPST 500MA 5V In stock: 8767 pcs </p>	<p><b>7300N</b> Proizvođači: Apex Tool Group Opis: AO102 ARBOR MT/JT In stock: 2769 pcs </p>